



博雷(天津)控制系统制造有限公司  
BOLLEY(TIANJIN) CONTROL SYSTEM MANUFACTURING CO., LTD.

地址(Add): 天津市东丽区跃进路1199号

电话(Tel): 022-27575088

传真(Fax): 022-87880319

Http: //www.bolley.cn

E-mail: cn@bolley.cn



博雷(天津)控制系统制造有限公司  
BOLLEY(TIANJIN) CONTROL SYSTEM MANUFACTURING CO., LTD.

BUTTERFLY VALVE SERIES  
蝶阀系列

# COMPANY PROFILE

## 公司简介



博雷(天津)控制系统制造有限公司是一家集工程、阀门生产于一体的企业,引进美国先进阀门制造技术,为客户提供专业的过程自动化及控制设备等解决方案。一直以来稳步发展,经过多年的积累,博雷控制已经迈入了国际化公司的行列。

公司主导产品有闸阀、截止阀、蝶阀、球阀、止回阀、调节阀、减压阀、隔膜阀、旋塞阀、柱塞阀、疏水阀、电站阀、美标阀、水力控制阀等80多种品种、300多个系列、几千种规格。产品采用GB、JB、HG、API、ANSI、DIN、JIS、BS等国内外先进标准设计制造。通径从1/4"至96"(DN6-2400mm)、压力从150LB至2500LB(2MPa-42MPa)、工作温度为-196℃至800℃。主要材料有灰铸铁、球墨铸铁、铜、碳素钢、不锈钢、合金钢、低温钢、铬钼钢、沉淀硬化钢及其他特殊钢材。

我们以卓越的品质和服务取得了全球数以万计的用户的信赖及支持,所涉及的行业包括化工、石化、电力、环境、生物科技、燃气、染料、制药、供热、造纸、建筑食品、有色金属、钢铁以及其他工业领域。

我们重视客户提出的每一个要求,并按照客户提出的要求量身定做,力求为客户提供最好的解决方案,同时也能优化产品性能,客户感到满意与他们保持紧密的合作关系。我们坚持这样做并取得了成功,这是我们发展的动力。自从博雷控制诞生的那一刻起,我们力求每一个环节都做到精益求精,所以我们的质保系统渗透到每一个工序,确保每个员工用到的是最好的零配件,这是我们发展的根本。

为了确保产品质量和满足顾客的要求,我们坚持不断深化内部管理,努力提升全员质量意识,扩大全球营销团队,为国内外客户提供更方便快捷的服务。

Bolley (Tianjin) Control System Manufacturing Co., Ltd. is a collection of engineering control system, valve production in a body's enterprise, introducing the advanced valve manufacturing technology, providing customers with professional solutions for process automation and control equipment, etc. Has been a steady development, after many years of accumulation, Bolley Control has entered the international company.

Company main products are gate valve, globe valve, butterfly valve, ball valve, check valve, regulating valve, relief valve, diaphragm valve, plug valve, plunger valve, steam trap, power station valve, american standard valve, hydraulic control valves, and more than 80 varieties, more than 300 series, thousands of specifications. Product by GB, JB, HG, API, ANSI, DIN, JIS, BS, and domestic and foreign advanced standards. Size from 1/4" to 96" (DN6-2400mm), pressure from 150LB to 2500LB (2MPa - 42MPa), the working temperature to -196°C to 800°C. The main materials are gray cast iron, nodular cast iron, copper, carbon steel, stainless steel, alloy steel, low temperature steel, chrome molybdenum steel, precipitation hardened steel and other special steel.

With our excellent quality and service has made the world tens of thousands of users trust and support, involved in industries including chemical, petrochemical, electric power, environmental, biological technology, gas, dyestuff, pharmaceutical, heating, papermaking, food, non-ferrous metals, steel and other industrial fields.

We attach importance to the customer request of each, and customized according to customer demand, makes every effort to provide customers with the best solution, but also can optimize product performance, customer satisfaction and their close relations of cooperation. We insist on doing this and has been a success, this is our development power. Since the birth of Bolley control that moment, we strive to do every link strives for perfection, so our quality assurance system to infiltrate every working procedure, to ensure that each employee use is one of the best parts, it is fundamental to our development.

In order to ensure product quality and meet the requirements of customers, we continuously deepen the internal management, efforts to enhance the quality consciousness, expand the global marketing team, to provide more convenient service to customers from home and abroad.

# PRODUCTION WORKSHOP

生产车间



 博雷控制  
BOLLEY Control



# PRODUCT DISPLAY

产品展示



# 目录 CONTENTS



蝶阀产品型号编码 Product Model Code of Butterfly Valve	01
对夹式软密封蝶阀阀座材料 The Seat Materials of Wafer Soft Sealing Butterfly Valve	02-03
蝶阀安装说明 Installation Instructions of Butterfly Valve	04
对夹式中线蝶阀结构 The Structure of Wafer Midline Butterfly Valve	05-06
对夹式/单夹式中线蝶阀 Wafer ,Single Clip-on Midline Butterfly Valve	07-08
对夹式蝶阀 The Wafer Butterfly Valve	09
衬氟蝶阀 Fluorin Valve	10
沟槽式蝶阀 Grooved Butterfly Valves	11
法兰连接中心线蝶阀 Flange Connecting Centerline Butterfly Valve	12-13
软密封双偏心法兰蝶阀 Soft Seal Eccentric Double Flanged Butterfly Valve	14-15
软密封双偏心手动法兰蝶阀 Soft Sealing Double Eccentric Manual Flanged Butterfly Valve	16
软密封双偏心电动法兰蝶阀 Soft Sealing Double Eccentric Flange Butterfly Valve	17
软密封单偏心法兰蝶阀 Soft Seal Single Eccentric Flanged Butterfly Valve	18-19
伸缩型法兰蝶阀 Telescopic Type Flange Butterfly Valve	20-21
对夹式蝶阀止回阀 Wafer Butterfly Check Valve	22-25
传动装置 Gearing Device	26
手柄、蜗轮蜗杆传动装置 Handle ,Worm Gear Worm Drive Device	27
电动装置 Electric Device	28-31
气动执行器 Pneumatic Actuators	32-34

## ■ 型号编码说明 Model Code of Instruction

序号 No.	1	2	3	4	5	6	7	8	9
说明 Instructions	系列 Series	转动 Turn	连接 Connection	结构 Structure	阀座 Seat	压力 Pressure	阀体 Body	阀板 Plate	板轴 Plate shaft

例: MD37A1X3-16QB2Y1: MD系列, 蜗轮装置, 对夹式, 中心垂直板式, EPDM阀座, 1.6 MPa(200PSI), 阀体, 铜板, 有销。  
Example: Series MD, Worm Gear, Wafer, Concentric Disc, EPDM Seat, 1.6 MPa (200PSI), Body, ALB Disc, with Pin.

1 系列 Series	Code	5 阀座材料 Seat material	Code	8 阀板材料 Plate material	Code
609 双耳蝶阀 Ears butterfly valve	AD	天然橡胶 Natural rubber	X1 J1	球墨铸铁镀镍 Ductile iron nickel plating	B1
对夹衬胶蝶阀 The clip rubber butterfly valve	BD	海帕伦 Hypalon	X2 J2	铅青铜 Lead bronze	B2
欧式软座蝶阀 Europe type soft seat butterfly valve	ED	乙丙橡胶 Ethylene propylene rubber	X3 J3	球墨铸铁衬胶板 Nodular cast iron lining rubber sheet	B3
衬氟塑料蝶阀 Lining fluorine plastic butterfly valve	FD	氯丁橡胶 Neoprene rubber	X4 J4	双相不锈钢2507 Duplex stainless steel 2507	B4
沟槽式蝶阀 Grooved butterfly valves	GD	丁腈橡胶 NBR(BUNA-N)	X5 J5	奥氏体不锈钢CF8 Austenitic stainless steel	B5
高性能蝶阀 High performance butterfly valve	HD	耐磨橡胶 Wear-resisting rubber	X6 J6	超级奥氏体不锈钢1.4529 Super austenitic stainless steel	B6
对夹金属蝶阀 Metal butterfly valve to the clamp	JD	氟橡胶 Fluorine rubber	X7 J7	奥氏体不锈钢 CF8 Austenitic stainless steel	B7
无耳对夹蝶阀 No ear for butterfly valves	KD	硅橡胶 Silicon rubber	X8 J8	双相不锈钢1.4469 Duplex stainless steel	B8
马克对夹蝶阀 Mark on the wafer butterfly valve	MD	耐热乙丙橡胶 Heat-resistant EPDM	X9 J9	蒙耐尔合金 Monel alloy	B9
澳式对夹蝶阀 Australian butterfly valve to the clamp	PD	白色丁腈橡胶 White NBR	XA JA	超低碳奥氏体不锈钢 Ultra-low carbon austenitic stainless steel CF3	BA
螺纹连接蝶阀 Threaded connections butterfly valve	SD	白色乙丙橡胶 White EPDM	XB JB	超低碳奥氏体不锈钢 Ultra-low carbon austenitic stainless steel CF3M	BB
对夹法兰蝶阀 Flange butterfly valve to the clamp	UD	食品级乙丙橡胶(NSF) EPDM (NSF)	XC JC	铸钢 Cast steel	BC
高压重型蝶阀 High pressure heavy-duty butterfly valves	VD	氟橡胶B26 Fluorine rubber	XD JD	球墨铸铁喷涂尼龙 Ductile iron spraying nylon	BN
欧式硬座蝶阀 European hard seat butterfly valve	YD	聚氨酯 Polyurethane	XE JE	球铁涂环氧树脂 Ductile iron with epoxy resin	BE
2 传动方式 Actuator	Code	聚四氟乙烯 Teflon	F4 JF	球铁喷涂氟塑料 Ductile iron spraying fluorine plastic	BP
光轴 Optical axis	0	X-硬靠背阀座 A hard chair seat		超级奥氏体不锈钢 904L Super austenitic stainless steel	BL
手柄 Handle	1	J-无靠背软阀座 No soft seat backrest		哈氏合金 Hartz alloy	BH
蜗轮装置 Worm gear	3	6 压力级 Pressure level	Code	球墨铸铁搪瓷 Ceramic coating	BT
气动 Pneumatic	6	1.0 MPa	10	9 板轴连接结构 Plate shaft connection structure	Code
电动 Electric	9	1.6 MPa	16	通板通轴有销键连接(有销结构) Through shaft hub board pin key connection structure (pin)	Y1
3 连接方式 Connection method	Code	2.0 MPa	20	通板通轴有销方连接(有销结构) Through shaft hub board annul connection just structure (pin)	Y2
对夹 Wafer	7A	2.5 MPa	25	通板连杆半轴弹指式方头(无销) 2"-14" Through the hub connecting rod half shaft play block type square head(no pin) 2"-14"	W1
单夹 A single clip	7L	7 阀体材料 Body material	Code	半板板半轴弹指下侧销方轴头(无销) Play against the hub board half shaft side annul shaft head just (no pin)	W2
U型法兰 U-flanged	7B	灰铸铁 Cast iron	Z	通板板半轴弹指下侧销方轴头(无销) Through the hub board half shaft play annul shaft head just blocked side (no pin)	W3
卡箍 Grooved	8A	球墨铸铁 Ductile cast iron	Q	通板板半轴对开环方轴头(无销) ≥16 Through the hub board half shaft split ring square shaft head (no pin) or 16"	W4
内螺纹 Internal screw	1A	铸钢 Cast steel	C	通板板半轴对开环轴头(无销) ≥16" Through the hub board half shaft spli ring bond axis (no pin) or 16"	W5
4 板结构 Disc structure	Code	铝青铜 AL-Bronze	P	通板板花键弹指方轴头(无销) 1.5"-14" Through the hub board spline elastic block square shaft head (no pin) 1.5"-14"	W6
中心板式 Center plate	1	奥氏体不锈钢 CF8 Austenitic stainless steel	T		
单偏心式 Single eccentric type	2	奥氏体不锈钢 CF8 Austenitic stainless steel	R		
双偏心式 Double eccentric type	3	低温钢 Low temperature steel	L		

### ■ 阀座温度等级 Seat Temperature Rating

EPDM(乙丙橡胶 Ethylene propylene rubber):  
-20° F(-29°C); 250° F(121°C)  
BUNA-N(丁腈橡胶 Butyl nitrile rubber):  
0° F(-18°C); 212° F(100°C)  
FKM(氟橡胶 Fluorine rubber):  
0° F(-18°C); 400° F(204°C)  
Polyurethane(聚氨酯 Polyurethane):  
-20° F(-29°C); 176° F(80°C)

### ■ EPDM 三元乙丙橡胶

EPDM是Ethylene Propylene Diene Monomer的英文字母缩写。在一般工业领域, EPDM也有其他名字。如: EPT, NORDEL, ECD或EPR这些指的都是EPDM这种材料。EPDM是博雷提供衬胶蝶阀的标准阀座材料。EPDMV是博雷提供的用途最广泛, 也是最为经济的阀座材料。而且, 它的应用领域比BUNA-N更为广泛。博雷EPDM阀座能够非常完美的适用于卫生级领域和标准工业领域。EPDM也可以作为S20系列的阀板覆盖材料。

EPDM is Ethylene Propylene Diene Monomer in the acronym in English. In the field of general industrial, EPDM has other name. Such as: EPT, NORDEL, ECD or EPR these are EPDM this material. EPDM is BOLLEY provide standard line with rubber butterfly valve seat materials. EPDMV is BOLLEY provided by the most widely use, also is the most economical of the seat material. Moreover, its application field is more widely than BUNA-N. BOLLEY EPDM seat is perfect for health and field and standard industrial areas. EPDM can also be used as a valve cover material for S20 series.

### ■ NBR丁腈橡胶 Nitrile Butyl Rubber

BUNA-N是Nitrile synthetic rubber的通用名。Nitrile是丙烯腈和丁二烯的聚合物。BUNA-N有时也被称作NBR, Nitrile或是hycaro BUNA-N是一种非常好的常用阀座材料。特别适用于碳氢化合物环境的领域。BUNA-N是一种标准的博雷阀座材料, 同时也是食品级的, 适用于卫生领域。BUNA-N也可以作为S20系列轴板的覆盖材料。BUNA-N is Nitrile synthetic rubber common name. Nitrile is propylene HA and a diene polymers. BONA-N are sometimes called NBR, Nitrile or hycaro BUNA-N is a very good seat materials commonly used. Especially suitable for the hydrocarbon environmental areas. BUNA is a standard BOLLEY seat materials, as well as food grade, suitable for health. BUNA-N can also be used as a S20 series shaft plate cover material.

### ■ FKM氟橡胶 Fluorine Rubber

氟橡胶(FPM)是由含氟单体共聚而成的有机弹性体, 其特点耐高温可达300°C, 耐酸碱; 耐油性是耐油橡胶中最好的; 抗辐射、耐高真空性能好; 电绝缘性、机械性能、耐化学腐蚀性、耐臭氧、耐大气老化性均优良。缺点是加工性差; 弹性透气性较低。适用温度范围: -20°C~+200°C。主要用于国防工业制造飞机、火箭上的耐真空、耐高温、耐化学腐蚀的密封材料、胶管或其他零件及汽车行业。

Fluorine rubber the (FPM) is composed of fluoride monomer copolymerization organic elastomer, its resistance to high temperature can reach 300°C PH; oil resistance is one of the best in the oil resistant rubber, radiation resistance, good resistance to high vacuum performance, electrical insulation, mechanical properties, resistance to chemical corrosion resistance, ozone resistance, weathering resistance are good. The disadvantage is that poor processability; elastic permeability is low. Applicable temperature range: -20°C~+200°C. It is mainly used for aircraft, the rockets' made by the defense industry vacuum sealing material, high temperature resistant, resistant to chemical corrosion, hose or other parts and automotive industry.

### ■ 硅橡胶 Silicone Rubber

博雷特有的硅橡胶为主链含有硅、氧原子的特种橡胶, 其中起主要作用的是硅元素。其主要特点是既耐高温(最高250°C)又耐低温(最低50°C), 是目前最好耐寒、耐高温橡胶; 同时电绝缘性优良; 对热氧化和臭氧的稳定性很高; 化学惰性大。缺点是机械强度较低, 耐油、耐溶剂和耐酸碱性能差; 较难硫化, 价格较贵。适用温度: -60°C~+200°C。主要用于制作耐高温的阀座, 由于其无毒无味, 还用于食品及医疗工业。阀座材料的提供根据阀门尺寸和系列进行选型。

BOLLEY unique silicone rubber as the main chain containing silicon and oxygen atoms of special rubber, which plays a main role is silicon. Its main characteristic is high temperature (250°C) and low temperature resistant (minimum 50°C), is currently the best cold resistant, high temperature resistant rubber; At the same time, excellent electrical insulation; The stability of thermal oxidation and ozone is very high; Chemical inertness. The disadvantage is that the lower mechanical strength, oil resistance, solvent resistance and acid-proof alkaline poor; Difficult to cure, the price is more expensive. Applicable temperature: -60°C~+ 200°C. Seat is used mainly for high temperature resistant, due to its non-toxic, tasteless, also used in food and medical industry. The seat material provide according to the selection of valve size and series.



### ■ 阀座温度等级 Seat Temperature Grade

PTFE包覆 Coated EPDM(标准型 Standard):  
-20° F(-29°C); 250° F(121°C)  
PTFE包覆 Coated EPDM(高温型 High temperature):  
-20° F(-29°C); 302° F(150°C)  
纯 Pure PTFE & 传导性 Conductivity PTFE:  
0° F(-18°C); 392° F(200°C)  
超高分子(UHMWPE):  
0° F(-18°C); 185° F(85°C)

### ■ PTFE包覆 Coated EPDM(标准温度或高温) (Standard Temperature or High Temperature)

PTFE包覆EPDM阀座由一个阀座面和通道材料为PTFE包覆材料为EPDM的橡胶背部组成, 只有惰性的非固胶性的PTFE材料表面是与管道中的介质接触的, 而材料为EPDM背组件是作为一个弹性件来支撑比较硬质的PTFE材料。这些阀座通用材料为Buna-N和EPDM。不适用于化学环境, 特别是用于腐蚀性环境。PTFE coated EPDM seat by a seat surface and channel for PTFE coated materials for EPDM rubber back, only inert PTFE material that is not of dry rubber surface is in contact with the medium in pipeline, the material is EPDM back components as an elastic piece to support more rigid material of PTFE. The seat of general material for Buna N and EPDM. Do not apply to the chemical environment, especially used in corrosive environment.

### ■ 纯 Pure PTFE

PTFE阀座和包覆阀板都是用纯PTFE材料做的, 该材料的规格厚度3mm, 比重2.16, 结晶率68%, PTFE固有的强度具有优越的化学性能, 高温性能以及抗撕裂能力。经烧结处理的PTFE熔化处理的材料(如PFA)拥有更低的渗透性, 此特性结合严格的材料规范要求, 对管道介质提供了更好的防渗透保护。PTFE seats and cladding valve plate is made of pure PTFE material, the material specification of 3 mm thickness, specific gravity 2.16, crystallization rate is 68%, the strength of the PTFE inherent has excellent chemical properties, high temperature performance and tear resistance. The sintering processing of PTFE melt processing of MC (PFA) have lower permeability, this feature combined with strict material specification requirements, to the pipeline medium provides better leakage protection.

### ■ 传导性PTFE Conductivity

传导性PTFE阀座和阀板, 对于安装在需要防爆性保护的区域是很重要的。该材料的设计具有防止有害的静电放射, 为了实现安全性和可靠性, 提供了兼具静电放射保护和很好的抗化学腐蚀性的PTFE。这种可传导PTFE阀座阀板, 最薄为3mm, 为管道介质提供了最大化的防渗透保护。Conductivity PTFE seat and valve plate, for installation in need of anti explosion protection area is very important. The material design is to prevent the harmful lung electric radiation, in order to realize the safety and reliability, and provides both static radiation protection and good resistance to chemical corrosion resistance of PTFE. The conduction of PTFE seat valve plate, the thinnest of 3 mm, for the pipeline medium provides maximum protection against penetration.

### ■ 耐磨耐热EPDM Wear-resistant heat-resistant

耐磨耐热EPDM为普通乙丙橡胶进行溴化、氧化、磺化磺醇化、马来酸酐化、有机硅改性、尼龙改性等工艺使得其比普通的EPDM有更好的耐磨性能及耐热性能, 增强了其工况的适应性, 获得了良好的经济效益。Wear-resistant heat-resistant EPDM for ordinary ethylene propylene rubber in Macao, the oxidation and sulfonation shun drunk, the elder brother of the maleic acid, organic silicon modified, nylon modification technology makes it than normal EPDM has better wear resistance and heat resistance, enhance the adaptability of its working conditions, obtained the good economic benefit.

### ■ 食品及天然胶 Food and natural rubber

食品及天然胶是以天然橡胶为主材料支撑天然橡胶制品, 并且通过国家相关食品接触使用橡胶检测标准检测, 达到食品及别的橡胶产品的称。采用此类橡胶做密封面的阀门, 广泛应用于食品、药品等行业上。Food and natural rubber are mainly made of natural rubber and supported by natural rubber products, and they are tested by national standards of rubber used in food contact, so as to achieve the name of food and other rubber products. Using this kind of rubber as sealing surface valve, widely used in food, medicine and other industries.

#### ■ 安装特点 Installation Characteristics

- 1、管道焊接法兰标准必须与蝶阀法兰标准相符。
- 2、安装前应先清理阀门内腔与安装面，不许有污物附着。
- 3、安装时蝶阀必须处于关闭状态，确保阀板不能与管道和法兰等接触。
- 4、阀座作为阀体端面和法兰连接的密封垫，安装时无需再加其它密封垫。
- 5、本蝶阀可以安装在水平/垂直及任意角度的管道上，可双向使用。
- 6、安装前要确认法兰焊接无误，蝶阀与管道法兰连接后不允许再进行焊接，以免烫伤橡胶件和防腐涂层。
- 7、蝶阀不能安装在管道的拐角处。
- 8、电动阀门在订货合同中如无特殊说明只允许垂直安装于室内使用。
- 9、如阀门出现启闭失常，应查明原因，排除故障，不能利用敲击/撬和加长手柄等方法强行开启。
- 10、本蝶阀在储存未用期间，应存放在室内通风干燥环境，周围不能存在有害物质。

1. The standard of pipe welding flange must be the same with butterfly valve.
2. Clean-up the inside and surface of the valve before the installation, are not allowed to have dirt adhesion.
3. Valve installation must be in a closed position to ensure that the valve plate never touch the pipe and flange.
4. Valve seat as the flange's end-gasket and connection seal, no need any other seal when installation.
5. The butterfly valve can be installed in horizontal, vertical and any angle pipeline, and can be used as Bi-direction.
6. To confirm the flange is welded in accuracy, no more welding allowed after butterfly valve and pipe flange are connected together, in order to avoid the rubber parts been burned and the anti-corrosion coating been damaged.
7. Butterfly Valves can not be installed on the corner of the pipe line.
8. Electric valve is only allowed installation vertically indoor if there is no any other special instruction in the contract.
9. If the abnormalities of valve opening and closing occurred, we should check out the reasons and debug the problems. No allowed force open with knocking, smashing and using crowbar.
10. The butterfly valves should be indoor storage with dry and ventilation conditions, no harmful substances around.

正确的安装方法: Right way for the installation	错误的安装方法: Wrong way for the installation
将法兰撑至最大距离保证有一定间隙。 Hold the flange to the maximum distance to ensure that there is a certain space.	法兰之间预留空间不够，会损伤阀座。 No enough space between the flanges will injure valve seat.
阀门在关闭状态安装，装上所有的螺钉螺母，带住螺母切勿拧紧螺母。 Valve is installed in a closed state, mount all the screw nut, with live nut do not tighten the nut.	不得用阀体为杠杆。 No enough space between the flanges will injure valve seat.
将蝶阀开到最大，检查有无刮碰，阀门是否对中，螺母沿对角逐个拧紧。 Hold the butterfly valves to the maximum, check for scratches make sure the valve is fixed well, nuts are fixed tight along the diagonals one by one.	阀门在开启状态下安装容易损伤阀板。 To install the Valve in the opening position, the disc will be easily damaged.

#### ■ 在出泵口安装阀门 Install Valve in Pump Outlet

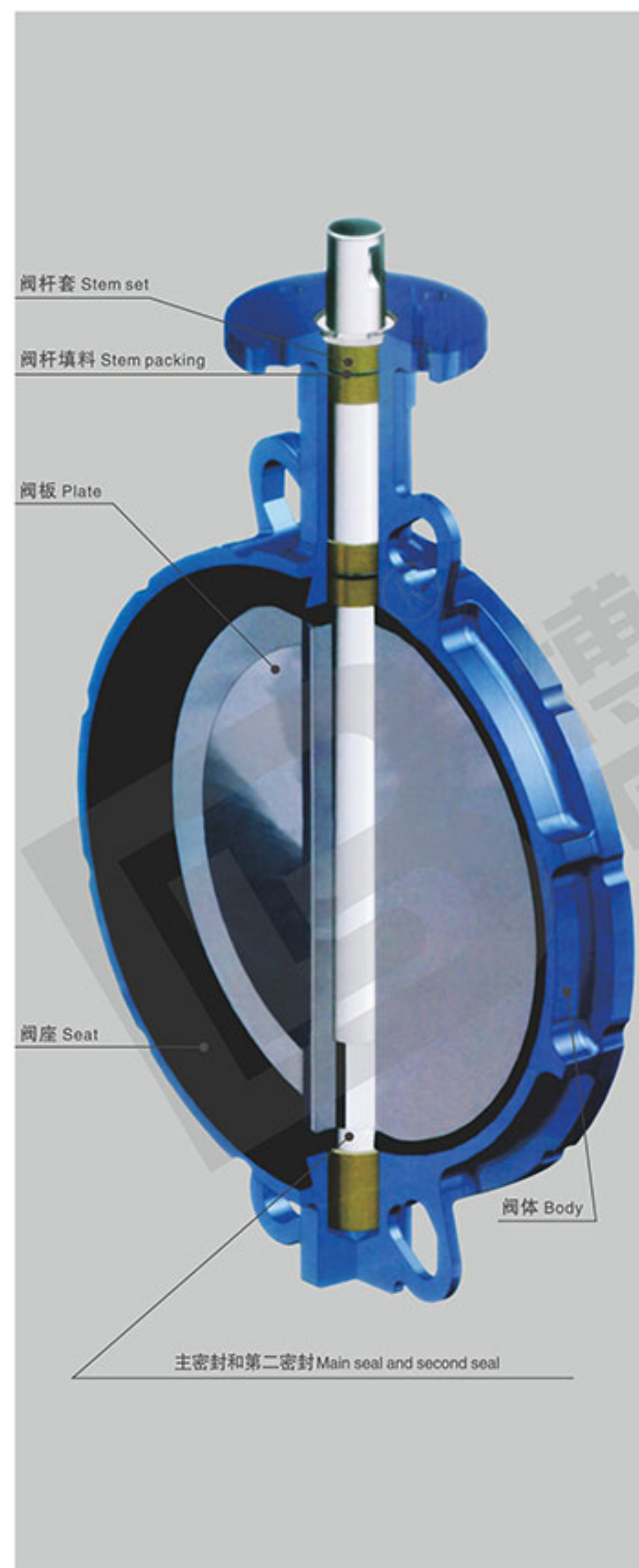
错误的阀轴方向 Wrong direction of the valve shaft	正确的阀轴方向 Right direction of the valve shaft
离心泵 Centrifugal pump (水平轴) (Horizontal shaft) 	离心泵 Centrifugal pump (水平轴) (Horizontal shaft) 
垂直泵轴 Vertical pump shaft 	垂直泵轴 Vertical pump shaft 
泵吸入口 Pump suction 	泵吸入口 Pump suction 
轴流泵 Axial flow pump 	轴流泵 Axial flow pump 

#### ■ 安装弯管或缩径管 Install Bend or Reducing Pipe

正确的阀轴方向 Right direction of the valve shaft	错误的阀轴方向 Wrong direction of the valve shaft

## 对夹式中线蝶阀结构

### The Structure of Wafer Midline Butterfly Valve



#### ■ 阀杆套 Stem Set

抗腐蚀聚四氟乙烯阀杆套或铜套能吸收重负荷时的侧向推力。  
Corrosion resistance of ptfе valve stem or copper can set absorb the heavy load of lateral thrust.

#### ■ 阀杆填料 Stem Packing

自调式U杯形填料与O型密封圈双重密封设计，可保证双向绝对密封防止外来物质进入阀杆腔内。  
Since the mode of U cup dressing and type O sealing ring double seal design, can guarantee the two-way sealed to prevent absolutely foreign matter into the valve stem cavity.

#### ■ 阀板 Plate

一片式设计，阀板边缘经球面加工和手工抛光，具有操作扭矩低、阀座使用寿命长和密封性能好等优点。应用在卫生领域时，这样的设计完全防止收藏灰尘颗粒和细菌。阀杆和阀板表面也可以包一层丁腈橡胶或乙丙橡胶，防止金属表面侵蚀和腐蚀。阀板和阀杆按“薄板设计”可以提高Cv(比普通心轴穿透阀板高50%)和较大的压力恢复能力，具有较小的压力，是一种节能阀门。  
A chip design, on the edge of the valve plate by the spherical surface processing and manual polishing, low operating torque force, seat the advantages of long service life and sealing performance is good. Application in the field of health, this design completely prevent collect dust particles and bacteria. The valve stem and valve plate surface can also pack a layer of nitrile rubber or ethylene propylene rubber, prevent the metal surface erosion and corrosion. The valve plate and valve stem click sheet design can improve the Cv(50% higher than normal spindle through valve plate) and larger pressure recovery ability, with smaller pressure, is a kind of energy-saving valve.

#### ■ 阀座 Seat

独特的舌槽结合式阀座设计，能够完全把阀体与管内介质隔离。与其他同类阀门比较，它具有阀座安装牢固、更换方便快捷、扭矩小的优点。阀座表面有模压成一体式的O型环，不需要再安装时另加法兰垫片。Unique design of combination tongue-and-groove seat can completely isolating medium body with tube. Compared with other similar valve, it has a seat installation is firm, fast and convenient to replace, the advantages of small torque. Seating surfaces are moulded into the integration of the O-rings, don't need to install additional flange gasket.

#### ■ 阀体 Body

阀体设计成可适用于美标、日标、国标等常用标准。阀体外涂层可选用环氧树脂涂层、聚酰胺纤维(尼龙)涂层及氟碳树脂等涂层，可适用于不同工况环境。The valve designed to apply to API, JIS, GB other common standards. Body outer coating can be used epoxy resin coating, polyamide (nylon) coating and fluorocarbon resin coating, can be applied to different working environment.

#### ■ 主密封和第二密封 Main Seal and Second Seal

这类密封完全把流体介质和阀体、阀杆相隔离，主密封是由通过机械加工和手工抛光的阀板肩部与阀座的内表面的预压接触来获得的。次密封是由阀杆和阀座孔的过盈配合获得的。  
This type of fluid and valve body, valve stem seal completely isolated, the primary seal is made by mechanical processing and manual polishing disc shoulder preloading contact with the inner surface of the seat to get. Seal is by the stem and valve seat hole of the interference fit.



#### 产品概述 Product Overview

一片式设计，阀板边缘经球面加工和手工抛光，具有操作扭矩力低、阀座使用寿命长和密封性能好等优点。应用在卫生领域时，这样的设计完全防止收藏灰尘颗粒和细菌。阀杆和阀板表面也可以包一层丁腈橡胶或乙丙橡胶，防止金属表面侵蚀和腐蚀。阀板和阀杆按“薄板设计”可以提高Cv(比普通心轴穿透阀板高50%)和较大的压力恢复能力，具有较小的压力，是一种节能阀门。

A chip design, on the edge of the valve plate by the spherical surface processing and manual polishing, low operating torque force, seat the advantages of long service life and sealing performance is good. Application in the field of health, this design completely prevent collect dust particles and bacteria. The valve stem and valve plate surface can also pack a layer of nitrile rubber or ethylene propylene rubber, prevent the metal surface erosion and corrosion. The valve plate and valve stem click sheet design can improve the Cv(50% higher than normal spindle through valve plate) and larger pressure recovery ability, with smaller pressure, is a kind of energy-saving valve.

#### 主要零部件材料 Main Parts and Materials

零件 Parts	材料 Material	零件 Parts	材料 Material
阀体 Body	灰铁 Gray iron	阀板 Plate	镍铝青铜 Nickel aluminum bronze
	球墨铸铁 Nodular cast iron		PTFE 涂层球墨铸铁 Coating for ductile iron
	碳钢 Carbon steel		尼龙涂层球墨铸铁 Nylon coating nodular cast iron
	超级奥氏体不锈钢 铝青铜铝合金镍铬铸铁等 Super austenitic stainless steel Cadmium nickel aluminum bronze alloy cast iron, etc		衬胶球墨铸铁 Rubber lining nodular cast iron
			双向不锈钢 Two-way stainless steel
阀座 Seat	乙丙橡胶 Ethylene propylene rubber	超级奥氏体不锈钢 Super austenitic stainless steel	镍铬铸铁 Nickel chromium cast iron
	丁腈橡胶 Nitrile rubber	哈氏合金 Hartz alloy	
	氟橡胶 Fluorine rubber	416不锈钢 Stainless steel	
	硅橡胶 Silicone rubber	304不锈钢 Stainless steel	
	聚四氟乙烯 Teflon	316不锈钢 Stainless steel	
		双向不锈钢 Two-way stainless steel	
		蒙乃尔 Monel K500	

注：材料提供取决于阀门尺寸和系列，可提供客户要求的其它材料，请根据实际应用要求联系当地博雷销售代表。  
Notice: Material providing depending on valve size and series, can provide other materials required by the customer, according to the actual application requirements please contact the local BOLLEY sales representative.



#### 产品概述 Product Introduction

本厂生产的软密封对夹式蝶阀、A型、LT型对夹蝶阀是引进美国先进技术，国内首家生产，具有二十几年该产品生产历史。多次获得国家优质奖。传动方式有：手柄、蜗轮蜗杆传动、气动、电动等。通径范围为DN25 - DN1000。

本厂蝶阀可用于石油、化工、食品、医药、造纸、水电、船舶、给排水、冶金、能源等系统的管路上，适用于多种腐蚀性气体、液体、半液体以及固体粉末介质。

The factory production of soft seal wafer butterfly type, type A, LT is the introduction of the advanced technology for wafer butterfly, the first domestic production, the product production 20 years history. National quality award many times. Driving mode are: handle, worm gear and worm drive, pneumatic, electric, etc. Size range for DN25 - DN1000.

Our factory butterfly valve can be used in petroleum, chemical, food, medicine, paper making, water and electricity, shipbuilding, water supply and drainage, metallurgy, energy, such as the pipeline system, applicable to a variety of corrosive gas, liquid, half liquid and solid powder medium.

#### 产品特点 Product Features

蝶阀主要由阀体、转轴、阀板、阀座及驱动机构(手柄、蜗轮蜗杆、气动装置或电动装置)等组成，靠驱动机构带动轴及阀板旋转以实现启闭和控制流量的目的。其特点如下：

- 1、结构简单紧凑、小巧轻便、运输、安装、拆卸容易。
- 2、90° 启闭，开关迅速。操作扭矩小，省力轻巧。
- 3、密封性能好，使用寿命长，可达到零泄漏。
- 4、选择不同的零部件材质，可适用于多种介质。
- 5、流量特性近似于直线，调节性能好。

Butterfly valve is mainly composed of valve body, shaft, disc, seat and drive mechanism (handle, worm gear and worm device, pneumatic or electric actuator), etc, on the driving mechanism and disc drive shaft rotation to achieve the purpose of the opening and closing and control flow.

Its characteristics are as follows:

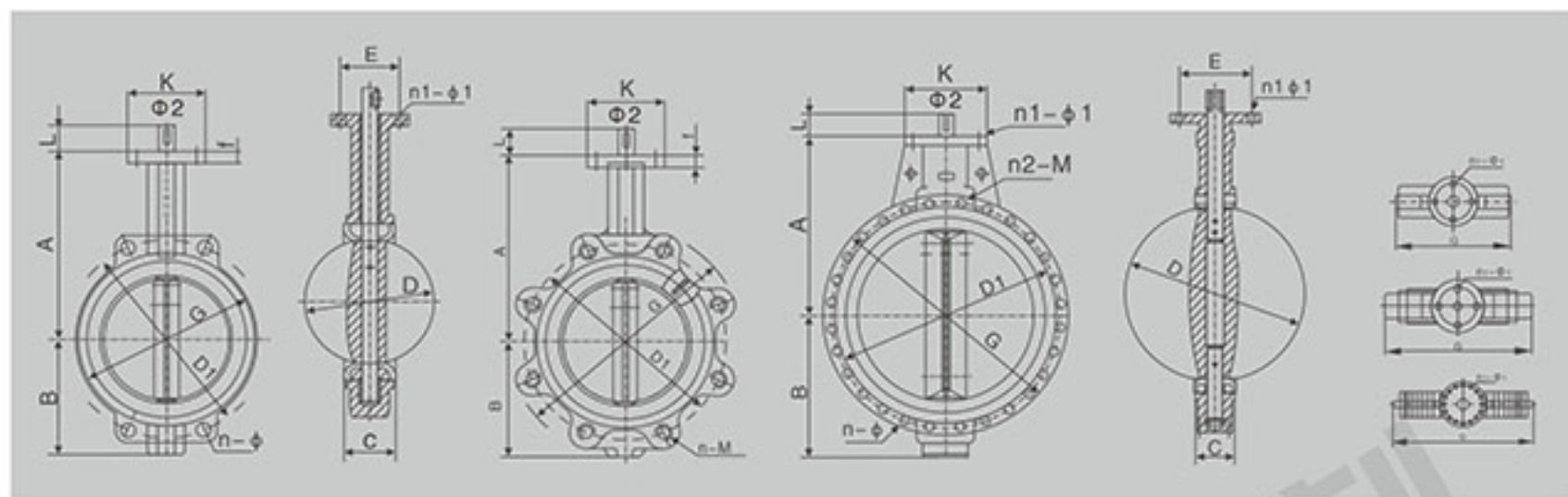
1. Simple and compact structure, small and light, easy transportation, installation and disassembly.
2. 90° opening and closing, switch is quick. Minimized operating torque, energy saving.
3. Good sealing performance, long service life and can achieve zero leakage.
4. Choose different parts material, can be applied to a variety of media.
5. Flow characteristic similar to linear, adjust good performance.

#### 主要性能参数 Main Performance Parameters

公称压力 Nominal pressure (MPa)	公称直径 Nominal diameter (mm)	试验压力 Test pressure(MPa)		适用温度 Applicable temp. ℃	适用介质 Applicable medium	驱动方式 Operation way
		壳体 Shell	密封 Sealing			
1.0	50 - 1000	1.5	1.1	-15 ~ 150	淡水、污水、海水、空气、蒸汽、食品、药品、各种油类、酸类、碱类等 Fresh water, sewage, sea water, air, steam, food, drug, various oil, acid, alkali, etc.	手柄、蜗轮蜗杆传动、 电动、气动 Handle, worm gear and worm drive, motor, pneumatic
1.6		2.4	1.76			

结构型式 Structural style	公称压力 Nominal pressure (MPa)	型号 Model							
A型中线 对夹式蝶阀 A Type midline the wafer butterfly valve	1.0	D7A1X-10Z	D37A1X-10Z	D67A1X-10Z	D97A1X-10Z	D7A1X-10C	D37A1X-10C	D67A1X-10C	D97A1X-10C
	1.6	D7A1X-16Z	D37A1X-16Z	D67A1X-16Z	D97A1X-16Z	D7A1X-16C	D37A1X-16C	D67A1X-16C	D97A1X-16C
LT型中线 单夹式蝶阀 LT Type midline Single clip-on butterfly valve	1.0	D7L1X-10Z	D37L1X-10Z	D67L1X-10Z	D97L1X-10Z	D7L1X-10C	D37L1X-10C	D67L1X-10C	D97L1X-10C
	1.6	D7L1X-16Z	D37L1X-16Z	D67L1X-16Z	D97L1X-16Z	D7L1X-16C	D37L1X-16C	D67L1X-16C	D97L1X-16C
驱动方式 Operation way	手柄 Handle	蜗轮蜗杆传动 Worm gear operated	气动 Pneumatic	电动 Motor	手柄 Handle	蜗轮蜗杆传动 Worm gear operated	气动 Pneumatic	电动 Motor	
阀体材料 Body material	铸铁 Cast iron				碳钢 Carbon steel				



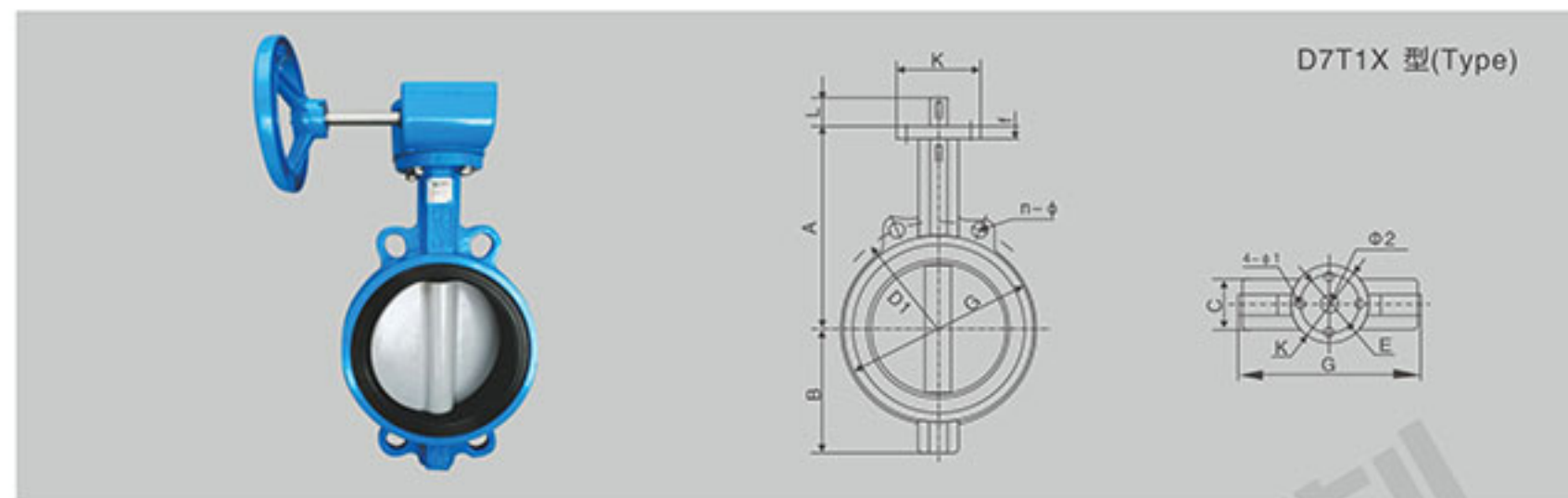


#### 主要外形尺寸及重量 Main Overall Dimension and Weight

PN1.0/1.6MPa

规格Size (mm) (inch)	A	B	C	D	L	D1		n-Φ		n-M	K	E	n1-Φ1	Φ2	G		重量WT (kg)		
						A型 Type	LT型 Type	A型 Type	LT型 Type						A型 Type	LT型 Type	A型 Type	LT型 Type	
50	2"	161	80	42	52.6	32	120	125	4-23	4-M16	77	57.15	4-6.7	12.6	118	118	-	2.5	3.8
65	2.5"	175	89	44.7	64.3	32	136.2	145	4-26.5	4-M16	77	57.15	4-6.7	12.6	137	137	-	3.2	4.2
80	3"	181	95	45.2	78.8	32	160	160	8-18	8-M16	77	57.15	4-6.7	12.6	143	143	-	3.6	4.7
100	4"	200	114	52.1	104	32	185	180	4-24.5	8-M16	92	69.85	4-10.3	15.77	156	206	-	4.9	9.0
125	5"	213	127	54.4	123.3	32	215	210	4-23	8-M16	92	69.85	4-10.3	18.92	190	238	-	7.0	10.9
150	6"	226	139	55.8	155.7	32	238	240	4-25	8-M20	92	69.85	4-10.3	18.92	212	266	-	7.8	14.2
200	8"	260	175	60.6	202.4	45	295	295	4-25	8-M20	115	88.9	4-14.3	22.10	268	317	-	13.2	18.2
250	10"	292	203	65.6	250.5	45	357	355	4-29	12-M20	115	88.9	4-14.3	28.45	325	393	-	19.2	26.8
300	12"	337	242	76.9	301.5	45	407	410	4-29	12-M20	140	107.95	4-14.3	31.6	403	462	-	32.5	40
350	14"	368	267	76.2	333.5	45	467	470	4-30	16-M20	140	107.95	4-14.3	31.6	436	515	-	41.3	56
400	16"	400	309	85.7	389.6	51.2	515	515	4-26	16-M24	197	158.75	4-20.6	33.15	488	579	-	61	96
450	18"	422	328	104.6	440.5	72	525	525	4-30	16-M27	197	158.75	4-20.6	37.9	539	627	-	79	122
500	20"	480	360	130.23	491.6	51.2	565	565	4-26	20-M24	197	158.75	4-20.6	38	593	696	-	128	202
600	24"	562	459	151.36	592.5	72	585	585	4-30	20-M27	197	158.75	4-20.6	41.15	824	821	-	188	270
700	28"	624	520	163	695	77.5	620	620	4-26	20-M24	276	215.9	4-22.2	45.72	824	821	-	188	270
800	32"	672	591	188	794.7	70.2	725	725	20-30	20-M27	276	215.9	4-22.2	50.65	824	821	-	188	270
900	36"	720	656	203	864.7	82	770	770	20-36	20-M33	276	215.9	4-22.2	53.98	824	821	-	188	270
1000	40"	800	722	216	965	66	840	-	24-30	-	300	254	8-18	55	895	-	-	284	-
						82	840	-	20-36	-	300	254	8-18	63.35	895	-	4-M33	284	-
						66	950	-	24-33	-	300	254	8-18	55	1015	-	-	368	-
						82	950	-	24-39	-	300	254	8-18	63.35	1015	-	-	368	-
						66	1050	-	24-33	-	300	254	8-18	75	1115	-	4-M30	713	-
						82	1050	-	24-33	-	300	254	8-18	75	1115	-	4-M30	713	-
						66	1160	-	24-36	-	300	254	8-18	85	1230	-	4-M33	864	-
						82	1160	-	24-36	-	300	254	8-18	85	1230	-	4-M33	864	-

注：  
 "A"型蝶阀DN50(20)~800(32)与"LT"型蝶阀DN50(2)~600(24)分别适用于PN1.0/PN1.6MPa二级压力等级，表示每格有二个尺寸的分别表示PN1.0/PN1.6MPa二种压力等级链接尺寸。蝶阀上法兰可适用于手动、蜗轮蜗杆传动、电动、气动等传动装置。  
 表中DN50(2)~DN500(20)中的D1和n-Φ尺寸为蝶阀本身安装定位尺寸，它包括国标、德标、英标、ISO等法兰链接标准。  
 Note: "A" Type butterfly valve (20") to 800 (32") and "LT" type butterfly valve (2") to 600 (24) respectively for PN1.0 / PN1.6 MPa secondary classes, says there are two size for each respectively PN1.0 / PN1.6 MPa two classes link size. The butterfly valve is used for manual, worm gear, electric, pneumatic, etc. In the table (2) to DN500 (20") of D1 and n-Φ installation location dimension size of butterfly valve itself, it includes the national standard, German standard, British standard, ISO standard flange.



#### 产品特点 Product Features

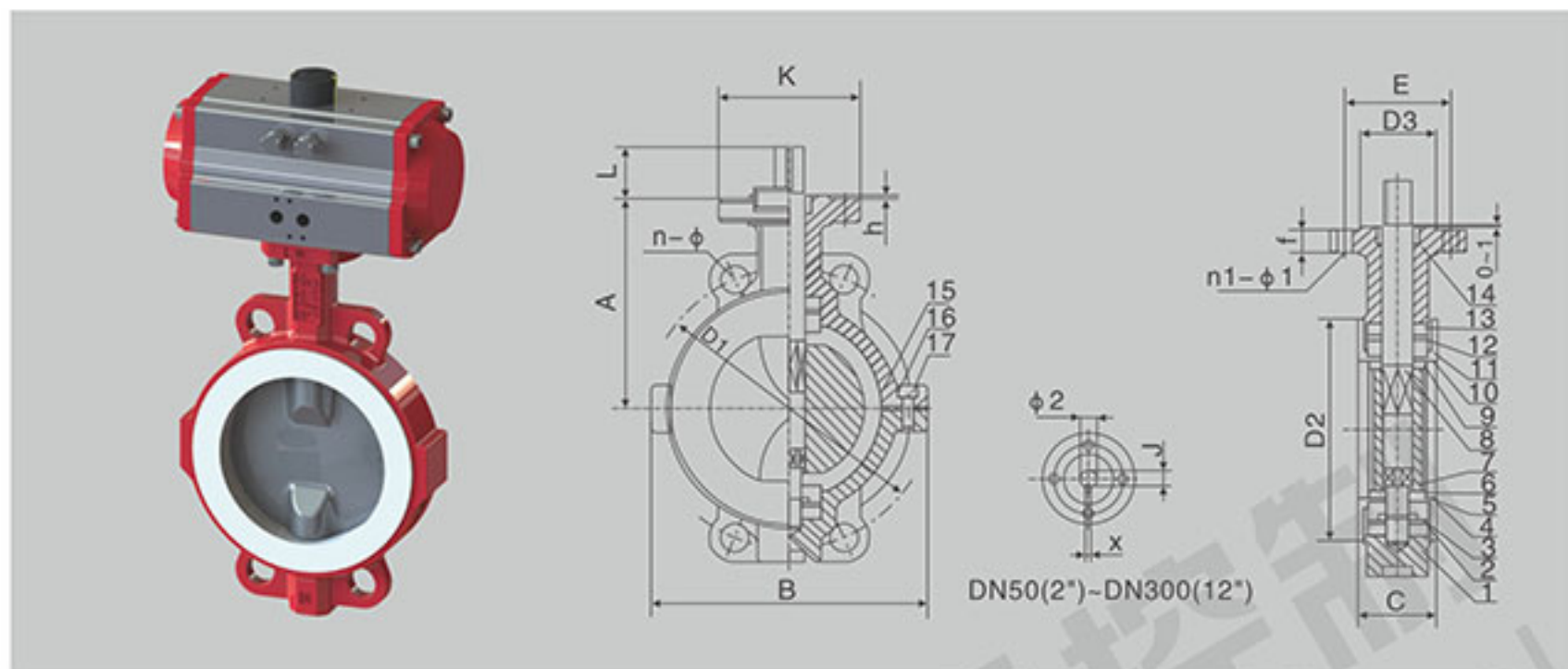
1. 结构简单紧凑，小巧轻便，容易拆装及维修，并可任意位置安装。
2. 90° 回转启闭迅速，启闭力矩小。
3. 密封性能好，使用寿命长，可达到零泄漏。
4. 选择不同的零部件材质，可适用多种介质。
5. 流量特性趋于直线，调节性能好。
6. 适用于手柄、蜗轮蜗杆、电动及气动等传动装置。
7. 设计及制造标准符合API609。
8. 压力试验符合API598。
9. 结构长度符合API609。
10. 侧法兰标准符合GB/T17241.6及ANSI B16.1。

#### 主要外形尺寸及重量 Main Overall Dimension and Weight

PN1.0/1.6MPa

规格Size DN(mm)	A	B	C	D1	L	n-Φ	K	E	4-Φ1	Φ2	G	重量WT (kg)
50	140	80	43	125	32	4-19	77	57.15	4-6.7	12.6	100	3.34
65	152	89	46	145	32	4-19	77	57.15	4-6.7	12.6	120	3.94
80	159	95	45.21	160	32	8-19	77	57.15	4-6.7	12.6	127	4.05
100	178	114	52.07	180	32	8-19	92	69.85	4-10.3	15.77	156	5.48
125	190	127	55.5	210	32	8-19	92	69.85	4-10.3	18.92	190	7.66
150	203	139	55.75	240	32	8-23	92	69.85	4-10.3	18.92	212	8.5
200	238	175	60.58	295	45	8-23	115	88.9	4-14.3	22.1	268	25
250	268	203	68	350	45	12-23	115	88.9	4-14.3	28.45	325	31.4
300	306	242	76.9	400	45	12-23	140	107.95	4-14.3	31.6	403	45.9
350	368	267	76.17	460	45	16-23	140	107.95	4-14.3	31.6	436	54

注：表中的连接尺寸以PN1.0MPa为例，实际产品中DN50-DN350规格的D1和n-Φ尺寸包括了PN1.0、PN1.6和ANSI CL125三种法兰连接标准。  
 Note: The connection size PN1.0 MPa, for example, in the actual product (DN350 specifications of D1 and n-Φ dimensions including PN1.0, PN1.6 and ANSI CL125 three flange connection standard.



### 产品概述 Product Overview

FD系列“A”型蝶阀尺寸小,重量轻,可在各种介质管道中作为截断、调节流量的设备。通过选用不同材质的阀板和密封座,以及板、轴通过无销连接可用于更加恶劣的工况,如脱硫、真空、海水淡化系统等。各系列“LT”型蝶阀可实现阀门的下游管线及设备在线修复,并且该阀可安装在管端作为排空阀使用。

FD Series "A" type butterfly valve size is small, light weight, can be in various media as truncation, adjust flow in pipe equipment. By choosing different material of the valve plate and seal, and plate, shaft by a pin connection can be used for more severe conditions, such as desulfurization, such as vacuum, the seawater desalination system. Various series "LT" type butterfly valve can implement online repair valve downstream piping and equipment, and the valve can be installed in the pipe used as emptying valve.

### 主要零件材料 Main Parts Material

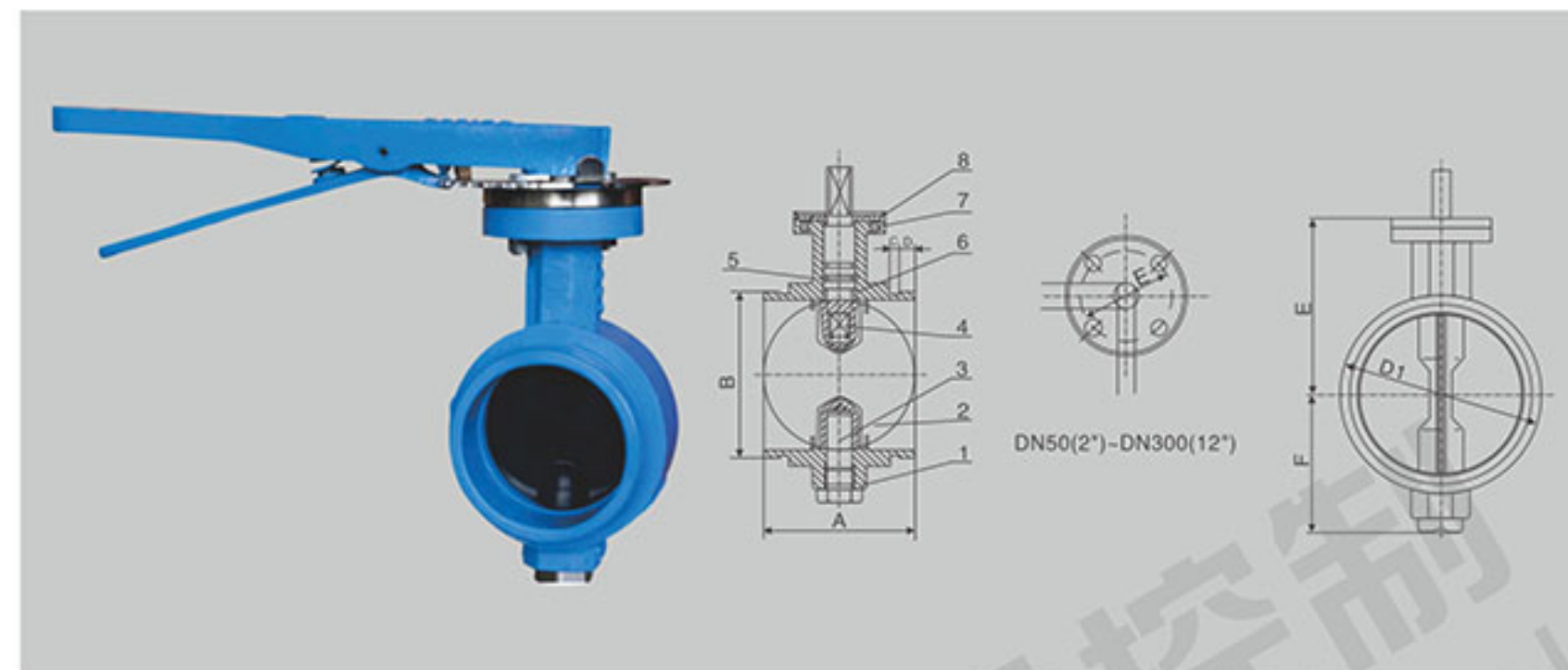
序号 No.	名称 Name	材料 Material	序号 No.	名称 Name	材料 Material
1	阀体 Body	铸钢WCB	10	阀座 Seat	PTFE
2	下垫片 Lower gasket	35 ASTM A570 Gr33	11	上定位圈 Upper location ring	H62
3	硅胶垫 Silicone pad	SI	12	硅胶垫 Silicone pad	SI
4	挡圈 Retaining ring	65Mn	13	上垫片 Upper gasket	35 ANSI 1035
5	薄垫片 Shim	35 ANSI 1035	14	轴套 Bushing	H62
6	下定位环 Locating ring	H62	15	硅胶条 Silicone article	SI
7	蝶板 Disc	不锈钢(Stainless steel) +F4 CF8+PTFE	16	定位棒 Positioning rods	PTFE
8	阀杆 Stem	2Cr13	17	螺钉 Screw	35 ANSI 1035
9	O型圈 O-Ring	FPM	-	-	-

### 主要外形尺寸 Main Overall Dimension

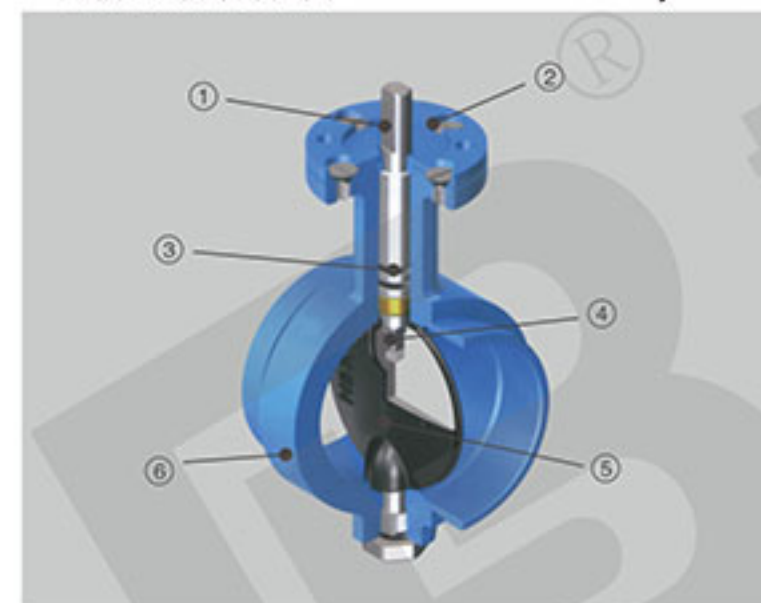
PN1.0MPa

DN (mm)	NPS (in)	D1	D2	K	E	D3	A	B	C	L	n-φ	h	φ2	n1-φ1	f	J	X	WT(Kg)
40	1.5	110	85	65	50	35	105	110	33	35	4-18	2	16	4-8	13	13.8	5	2.8
50	2	125	100	65	50	35	105	110	42	35	4-18	2	16	4-8	13	13.8	5	3.6
65	2.5	145	120	65	50	35	115	135	44.7	35	4-18	2	16	4-8	13	13.8	5	4
80	3	160	135	90	70	55	125	145	45.2	55	8-18	2	20	4-10	13	13.8	6	5.5
100	4	180	155	90	70	55	135	175	52.1	55	8-18	2	20	4-10	13	17.77	6	7.8
125	5	210	185	125	102	70	160	210	54.4	75	8-18	2	22	4-12	13	20.92	6	8.736
150	6	240	210	125	102	70	180	225	55.8	75	8-23	2	24	4-12	13	20.92	8	14.8
200	8	295	265	150	125	85	220	290	60.6	85	12-23	2	28	4-14	13	24.1	8	21.5
250	10	355	320	150	125	85	255	340	65.6	85	12-25	2	30	4-14	13	31.45	8	36.4
300	12	410	375	175	140	100	290	395	76.9	95	12-25	3	35	4-18	20	34.6	10	46.3

注: FD系列DN350—DN600可特殊订货。 Notice: FD Series DN350 - DN600 can special order.



### 沟槽式蝶阀剖面图 GD Series Butterfly Valve Section



- 1、轴扁连接: 方便与各种传动装置的连接, 能传动更大的扭矩。
- 2、控制装置法兰: 可以配用手柄, 蜗轮蜗杆传动。
- 3、“O”型圈: 阀轴双密封。
- 4、半轴方连接: 无隙连接能适应各种恶劣工况。
- 5、阀板: 阀板覆盖各种合成橡胶, 以适应不同的介质要求。
- 6、阀体: 采用卡箍式连接, 阀体内外表喷涂环氧树脂。

### 主要零件材料 Main Parts Material

序号 No.	名称 Name	代号 Code name	材料 Material	数量 Number	序号 No.	名称 Name	代号 Code name	材料 Material	数量 Number
1	阀体 Body		铁球(Iron ball) ASTM A536 65-45-12	1	5	O型圈 O-Ring	GB 819-85	丁腈橡胶 Nitrile rubber	3
2	阀板 Plate		球铁衬胶 Ductile iron rubber lining ASTM A536 65-45-12+Rubber	1	6	轴套 Bushing		F4 PTFE	1
3	下转轴 Under rotating shaft		1Cr17Ni2 431	1	7	十字槽沉头螺钉 Cross slot countersunk head screw		Q235-A 镀锌(Galvanized) Zn-PLATED	4
4	上转轴 On rotating shaft		1Cr17Ni2 431	1	8	压盖 Gland		Q235-A 镀镍(Nickel plating) Ni-PLATED	1

### 主要外形尺寸 Main Overall Dimension

PN1.6MPa

DN(mm)	NPS(in)	A	B	C	D	E	F
50	2	81	60	8	16	85	57
65	2.5	97	73	8	16	106	65
80	3	97	89	8	16	113	75
100	4	116	114	10	16	135	90
125	5	148	141	10	16	148	110
150	6	148	168	10	16	181	124
200	8	134	219	11	19	204	155
250	10	159	273	13	19	230	190
300	12	166	324	13	19	270	230

### 产品概述 Product Overview

法兰连接中心板式蝶阀是最新获得的专利产品。综合了偏心法兰蝶阀和对夹蝶阀的部分优点，填补了偏心法兰蝶阀与对夹蝶阀之间的一块空白。

Flange connection center plate type butterfly valve is the latest patent product. A combination of eccentric flanged butterfly valve and butterfly valve to the clamp part of advantages, to fill the eccentricity between flange butterfly valve and butterfly valve to the clamp a blank.

### 产品特点 Product Features

- 1、双向密封性能优良，扭矩值小，零件加工性能优越。
  - 2、流量特性趋于直线，调节性能好。
  - 3、法兰连接安装便捷，立式、卧式安装均可。
  - 4、密封副材料的多样性，可供用户选择。
  - 5、阀门可用于管端作放空阀用，性能可靠。
  - 6、阀座密封圈与阀体有机地结合为一体，使阀门具有较长的使用寿命。
1. Two-way sealed performance is good, torque value, small parts processing superior performance.
  2. Flow curve tending to straight line. Excellent regulation performance.
  3. Flange connection installed easily, both vertical and horizontal installation.
  4. The diversity of the seal material, for users to choose.
  5. Can be used in the pipe end for exhaust valve, valve, reliable performance.
  6. Seat sealing and body organically combined into an organic whole, make the valve has a longer service life.



### 主要零部件材质 Main Parts and Materials

名称 Name	阀体 Body	阀板 Disc	转轴 Shaft
材料 Material	球墨铸铁、灰铸铁-橡胶(丁腈橡胶、乙丙橡胶) Ductile cast iron, grey cast-iron-rubber (nitrile rubber, ethylene propylene rubber)	球墨铸铁、铜、不锈钢 Ductile iron, copper, SS	不锈钢 SS

### 主要性能参数 Main Performance Parameters

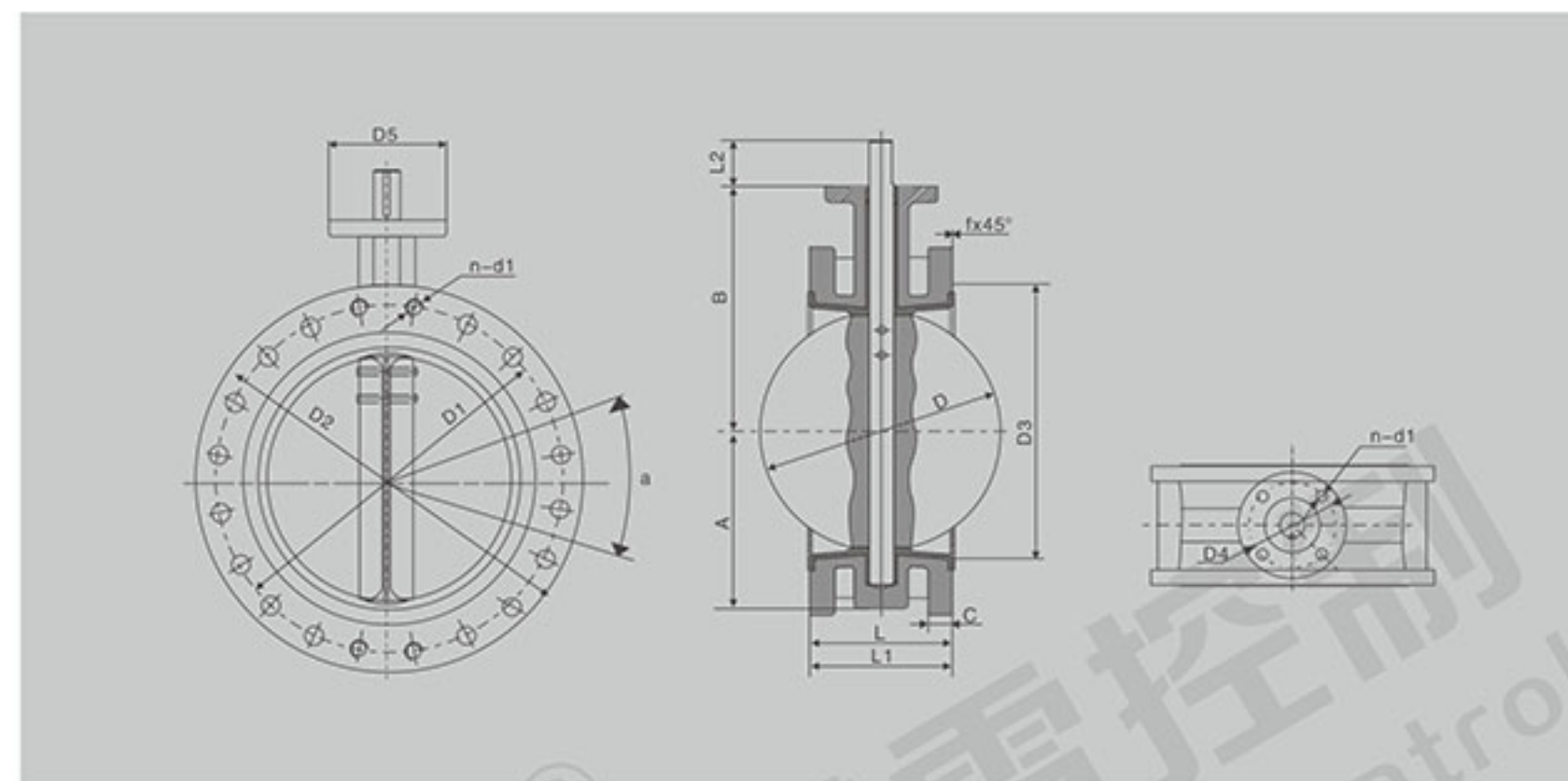
公称压力 Nominal pressure PN(MPa)	公称通径 Nominal diameter DN(mm)	试验压力 Test pressure(MPa)		适用温度 Applicable temp. °C	适用介质 Applicable medium
		壳体 Shell	密封 Sealing		
1.0	50~1000	1.5	1.1	-10~+120	水、油、气体等 Water, oil, gas, etc
1.6		2.4	1.76		

### 产品执行标准 Product Execution Standard

设计标准 Design standard	结构长度 Face-to-Face	侧法兰标准 End connetion	压力试验 Test pressure
GB/T12238	GB/T12221	GB/T17241.6	GB/T13927

### 型号规格 Type Specification

D41X-10	D341X-10	D641X-10	D941X-10
D41X-16	D341X-16	D641X-16	D941X-16



### 主要外形尺寸及重量 Main Overall Dimension and Weight

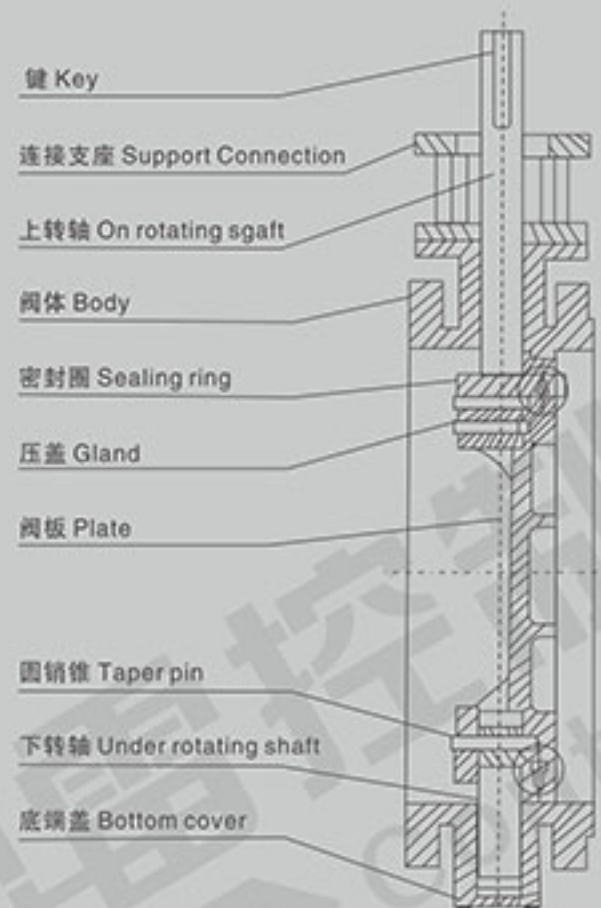
PN1.0/1.6MPa

规格 Size DN	A	B	C	D	D1	D2	D3	D4	D5	L	L1	L2	n-d1	a	f	n-d1	重量 WT(kg)
50	83	120	20	52.9	125	165	99	57.15	65	108	111	32	4-19	90°	3	4-7	7.6
65	93	130	20	64.5	145	185	118	57.15	65	112	115	32	4-19	90°	3	4-7	9.7
80	100	145	22	78.8	160	200	132	57.15	65	114	117	32	8-19	45°	3	4-7	10.6
100	114	155	24	104	180	220	156	69.85	90	127	130	32	8-19	45°	3	4-10	13.8
125	125	170	26	123.3	210	250	184	69.85	90	140	143	32	8-19	45°	3	4-10	18.2
150	143	190	26	155.6	240	285	211	69.85	90	140	143	32	8-23	45°	3	4-10	21.7
200	170	205	26	202.5	295	340	266	88.9	125	152	155	45	8-23 12-23	45°/30°	3	4-14	31.8
250	198	235	28	250.5	350/355	395/405	319	88.9	125	165	168	45	12-23 12-28	30°	3	4-14	44.7
300	223	280	28	301.5	400/410	445/460	370	107.95	150	178	182	45	12-23 12-28	30°	4	4-14	57.9
350	279	310	30	333.3	460/470	505/520	429	107.95	150	190	194	45	16-23 16-28	22.5°	4	4-14	81.6
400	300	340	32	389.6	515/525	565/580	480	158.75	175	216	221	51.2/72	16-28 16-31	22.5°	4	4-20.6	106
450	345	375	32	440.5	565/585	615/640	530	158.75	175	222	227	51.2/72	20-28 20-31	18°	4	4-20.6	147
500	355	430	34	491.6	620/650	670/715	582	158.75	210	229	234	52.75/77.5	20-28 20-34	18°	4	4-20.6	165
600	410	500	36	592.5	725/770	780/840	682	215.9	210	267	272	70.2/82	20-31 20-37	18°	5	4-22	235
700	478	560	40	695	840	895/910	794	254	300	292	299	66/82	24-31 24-37	15°	5	8-18	338
800	529	620	44	794.7	950	1015/1025	901	254	300	318	325	66/82	24-34 24-40	15°	5	8-18	475
900	584	665	46	864.7	1050	1115/1125	1001	254	350	330	338	118	28-34 28-40	12.9°	5	8-22	595
1000	657	735	50	965	1160/1170	1230/1255	1112	254	350	410	417	141	28-37 28-43	12.9°	5	8-22	794

注：侧法兰连接标准符合：GB/T17241.6；结构长度标准符合：GB/T12221法兰连接的短结构；  
蝶阀上法兰可适用于手柄、蜗轮蜗杆传动、电动和气动等传动装置。  
表中“/”左面尺寸为PN1.0MPa尺寸，“/”右面尺寸为PN1.6MPa尺寸。

Note: The end connection standard fits: GB/T 17241.6; The structure length standard conforms to the short structure of GB/T 12221 flange connection.  
The butterfly valve can be used on the handle, worm gear, electric and pneumatic gear.  
The “/” left side of the table is the size of PN1.0 MPa, “/” the right size is PN1.6 MPa size.

D3/943X型(Type)



#### 产品概述 Product Overview

本蝶阀系我厂最新研制的软密封偏心法兰蝶阀，主要适用于水厂、电厂、钢厂冶炼、造纸、化工、水源工程、环境设施建设等系统供排水用，尤其适用于水道管路上作为调节和截流设备使用。

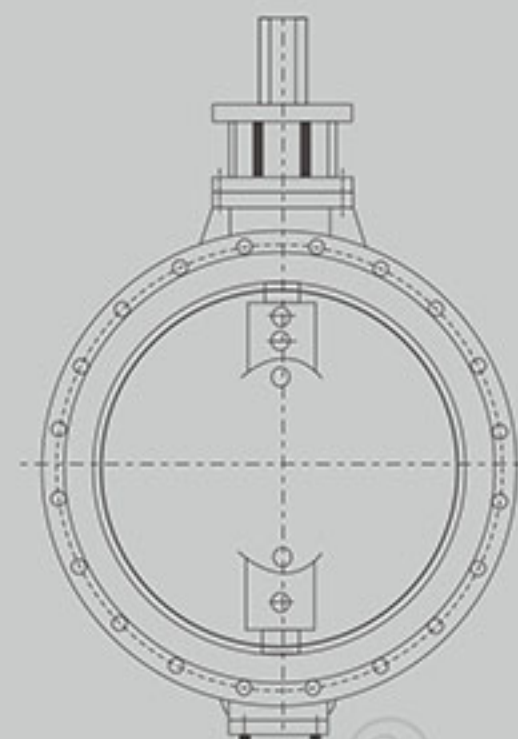
This butterfly valve is our newly developed soft seal eccentric flanged butterfly valves, mainly suitable for water plants, power plants, steel mills, smelting, paper making, chemical industry, water engineering, water supply and drainage, environmental infrastructure projects such as system is especially suitable for waterway piping used as adjustment and the closure device.

#### 产品特点 Product Features

- |   |   |
|---|---|
| 1、设计合理、结构紧凑、装拆容易，便于维修。                  | 1. Reasonable design, compact structure, easy installation and easy maintenance.  |
| 2、采用偏心结构，减少密封圈的摩擦，延长阀门使用寿命。             | 2. Adopts eccentric structure, reduce the friction sealing ring, prolong the service life of the valve.                           |
| 3、阀板密封圈采用“T”形结构，密封副呈线性密封。               | 3. "T" shape structure, the valve sealing ring, the sealing deputy linear sealing.  |
| 4、完全密封，泄漏为零。                            | 4. Completely sealed, zero leakage.   |
| 5、更换阀板密封圈、“O”形圈、蝶板、转轴等。材质，可适用多种介质和不同温度。 | 5. Replace the valve plate seal, "O" ring, disc, shaft, etc. Material, can be used a variety of medium and different temperature. |

#### 主要性能参数 Main Performance Parameters

公称压力PN(MPa) Nominal pressure	1.0	1.6
公称口径DN(mm) Nominal diameter	100 ~ 1200	100 ~ 1200
试验压力 Test pressure (MPa)	壳体 Shell	2.4
	密封 Sealing	1.76
适用温度℃ Applicable temp.	-15 ~ +110	
适用介质 Applicable medium	淡水、污水、海水、空气等 Fresh water, sewage, sea water, air, etc	



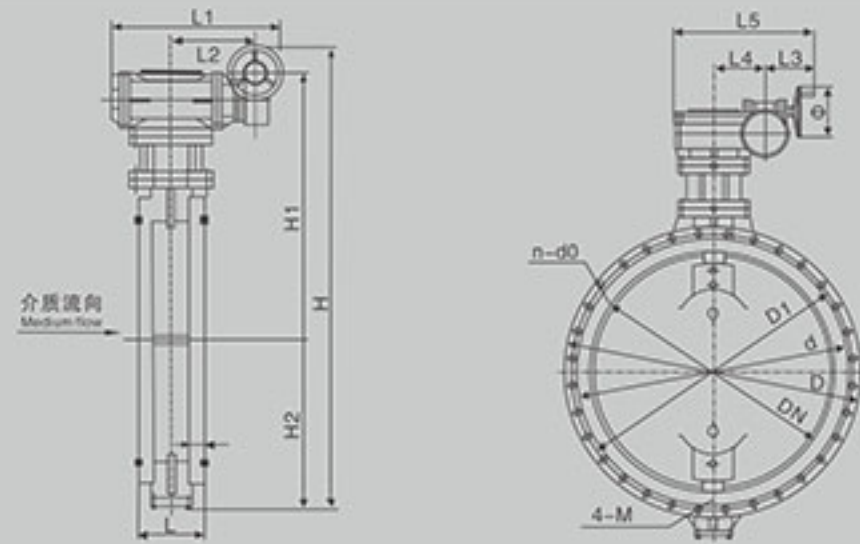
注：D-刷镀普通蝶阀  
DA-体密封为不锈钢型  
DB-密封副嵌在阀体上

#### 产品执行标准 Product Enforce Standards

- 符合GB/T12238《通用阀门法兰和对夹连接蝶阀》标准。
- 试验符合GB/T13927《通用阀门压力试验》标准。
- 侧法兰连接符合GB/T 17241.6《整体铸铁管法兰》标准。同时符合英标/德标/国标标准中PN1.0MPa、PN1.6MPa法兰连接标准。
- 结构长度
  - 短结构符合GB/T12221《法兰连接金属阀门结构长度》中对夹式蝶阀长度系列尺寸规定。
  - 长结构符合GB/T12221《法兰连接金属阀门结构长度》中法兰连接蝶阀长度系列尺寸规定。

#### 主要零件材料 Main Parts and Materials

名称 Name	阀体 Body	阀板 Plate	转轴 Turn shaft	轴套 Collar	阀板密封圈 Body sealing ring	阀体钢环 Body steel ring
国标GB	HT 200	QT 500	2Cr13	ZCuZn38Mn2Pb2	丁腈橡胶 NBR	0Cr18Ni9
美标ASTM	A126 ClassB	A536 65-45-12	420	B36	D2000AA6014	S32100
英标BS	BS 1452 Cr.180	BS 2789 Cr.500-7	420	BS1400	BS 2494 Buna-N	321S12



D34A3X-10/16 DA34A3X-10/16  
DB34A3X-10/16 D343X-10/16  
DA343X-10/16 DB343X-10/16

注：介质流向阀瓣承受介质压力方向  
Note: The medium flows to the valve plate under the pressure of the medium

主要外形尺寸及重量 Main Overall Dimension and Weight

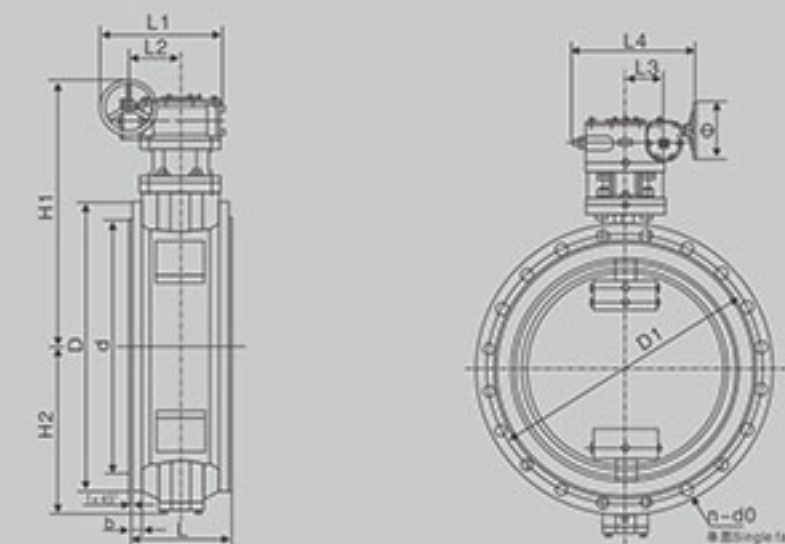
PN1.0MPa

规格 Size DN	手动装置 Hand operations	D	D <sub>1</sub>	d	b	短结构 Short structure		长结构 Long structure		H	H <sub>1</sub>	H <sub>2</sub>	L		L <sub>1</sub>	L <sub>2</sub>	L <sub>3</sub>	L <sub>4</sub>	L <sub>5</sub>	Φ	总重wt (kg)		
						n-d0	4-M	n-d0	n-d0				4-M	短结构 Short structure							长结构 Long structure	短结构 Short structure	长结构 Long structure
100	3D-15	220	180	158	24	-	-	8-Φ17.5	446	234	122	-	190	48	212	-	180	180	-	25	-	25	
150	3D-20	285	240	212	26	-	-	8-Φ22	521.5	279	153	-	210	190	58	128	-	194	180	-	37	-	37
200	3D-50	340	295	268	28	4-Φ22	M20	8-Φ22	690	349	216	89	230	280	70	163	-	241	250	53	63	63	63
250	3D-120	390	350	320	28	8-Φ22	M20	12-Φ22	800	406	219	114	250	280	95	193	-	291	350	81	94	94	94
300	3D-30/250	450	400	370	28	8-Φ22	M20	12-Φ22	959	542	267	114	270	449	178	254	104	473	300	128	148	148	148
350	3D-30/250	505	460	430	30	12-Φ22	M20	16-Φ22	1048	583	315	127	290	449	178	254	104	473	300	156	188	188	188
400	3D-30/250	565	515	482	30	12-Φ26	M24	16-Φ26	1120	620	350	140	310	449	178	254	104	473	300	205	237	237	237
450	3D-30/250	615	565	532	34	16-Φ26	M24	20-Φ26	1190	667	373	152	330	449	178	254	104	473	300	228	268	268	268
500	3D-30/400	670	620	585	34	16-Φ26	M24	20-Φ26	1280	702	428	152	350	486	196	254	130	528	300	242	289	289	289
600	3D-60/800	780	725	685	35	16-Φ30	M27	20-Φ30	1409	759	450	178	390	627	244	245	162	596	400	414	480	480	480
700	3D-60/800	895	840	800	40	20-Φ30	M27	24-Φ30	1613	885	528	229	430	627	244	245	162	596	400	522	615	615	615
800	3D-120/1500	1015	950	905	44	20-Φ33	M30	24-Φ33	1736	1013	573	241	470	635	270	295	196	711	300	689	818	818	818
900	3D-120/1500	1115	1050	1005	44	24-Φ33	M30	28-Φ33	1860	1071	639	241	510	635	270	295	196	711	300	804	956	956	956
1000	3D-120/2500	1230	1160	1110	50	24-Φ36	M33	28-Φ36	2107	1234	723	300	550	955	455	296	295	807	300	1177	1277	1277	1277
1200	3D-120/2500	1455	1380	1330	52	28-Φ39	M36	32-Φ39	2326	1343	833	350	630	955	455	296	295	807	300	1508	1764	1764	1764

主要外形尺寸及重量 Main Overall Dimension and Weight

PN1.6MPa

规格 Size DN	手动装置 Hand operations	D	D <sub>1</sub>	d	b	短结构 Short structure		长结构 Long structure		H	H <sub>1</sub>	H <sub>2</sub>	L		L <sub>1</sub>	L <sub>2</sub>	L <sub>3</sub>	L <sub>4</sub>	L <sub>5</sub>	Φ	总重wt (kg)		
						n-d0	4-M	n-d0	n-d0				4-M	短结构 Short structure							长结构 Long structure	短结构 Short structure	长结构 Long structure
100	3D-15	220	180	156	24	-	-	8-Φ19	446	234	122	-	190	202	48	121	-	180	180	-	25	-	25
150	3D-20	285	240	211	26	-	-	8-Φ23	521.5	279	153	-	210	222	58	128	-	194	180	-	37	-	37
200	3D-50	340	295	266	30	8-Φ23	M20	12-Φ23	690	349	216	89	230	275	70	163	-	241	250	53	63	63	63
250	3D-120	405	355	319	32	8-Φ28	M24	12-Φ28	782	398	209	114	250	368	95	193	-	291	350	81	94	94	94
300	3D-30/250	460	410	370	32	8-Φ28	M24	12-Φ28	980	556	277	114	270	449	178	254	104	473	300	145	165	165	165
350	3D-30/250	520	470	429	36	12-Φ28	M24	16-Φ28	1048	586	315	127	290	449	178	254	104	473	300	190	214	214	214
400	3D-30/400	580	525	480	38	12-Φ31	M27	16-Φ31	1138	653	335	140	310	486	196	254	130	528	300	232	264	264	264
450	3D-30/400	640	585	548	40	16-Φ31	M27	20-Φ31	1202	672	380	152	330	486	196	254	130	528	300	352	392	392	392
500	3D-60/800	715	650	609	42	16-Φ34	M30	20-Φ34	1421	793	428	152	350	627	244	254	162	596	400	377	524	524	524
600	3D-60/800	840	770	720	48	16-Φ37	M33	20-Φ37	1488	808	480	178	390	627	244	245	162	596	400	625	700	700	700
700	3D-120/1500	910	840	794	385	20-Φ37	M33	24-Φ37	1889	1058	681	229	430	635	370	295	196	711	300	853	953	953	953
800	3D-120/1500	1025	950	901	43	20-Φ40	M36	24-Φ40	2032	1133	749	241	470	635	370	295	196	711	300	924	1075	1075	1075
900	3D-120/2500	1125	1050	1001	465	24-Φ40	M36	28-Φ40	2258	1266	842	241	510	955	455	295	295	807	300	1135	1319	1319	1319
1000	3D-120/2500	1255	1170	1112	50	24-Φ43	M39	28-Φ43	2325	1286	889	300	550	955	445	296	295	807	300	1562	1751	1751	1751
1200	3D-120/4000	1485	1390	1328	57	28-Φ49	M45	32-Φ49	2796	1568	978	350	630	1190	680	491	598	1089	500	3253	3541	3541	3541



D94A3X-10/16 DA94A3X-10/16  
DB94A3X-10/16 D343X-10/16  
DA943X-10/16 DB943X-10/16

注：介质流向阀瓣承受介质压力方向  
Note: The medium flows to the valve plate under the pressure of the medium

主要外形尺寸及重量 Main Overall Dimension and Weight

PN1.0MPa

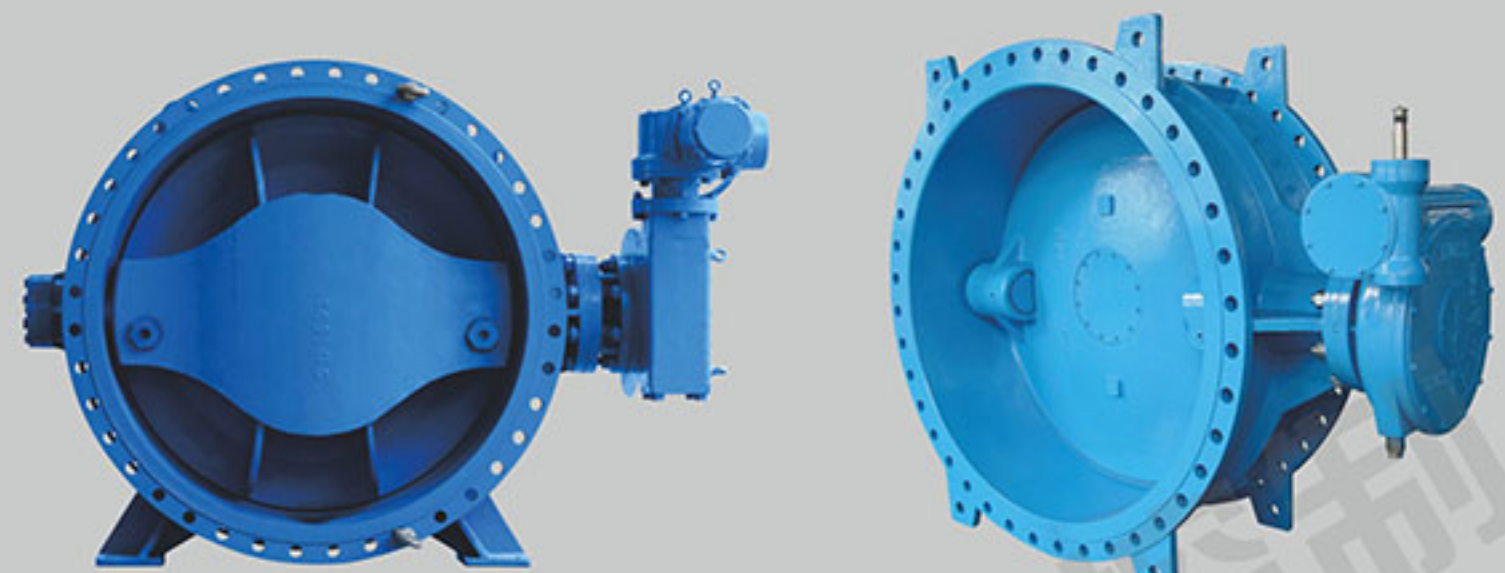
规格 Size DN	手动装置 Hand operations	D	D <sub>1</sub>	d	b	短结构 Short structure		长结构 Long structure		H	H <sub>1</sub>	H <sub>2</sub>	L		L <sub>1</sub>	L <sub>2</sub>	L <sub>3</sub>	L <sub>4</sub>	L <sub>5</sub>	Φ	总重wt (kg)		
						n-d0	4-M	n-d0	n-d0				4-M	短结构 Short structure							长结构 Long structure	短结构 Short structure	长结构 Long structure
100	802.20-1	220	180	158	24	-	-	8-Φ17.5	569	279	122	-	190	323	134	79	420	253	220	-	40	-	40
150	802.20-1	285	240	212	26	-	-	8-Φ22	642	321	153	-	210	323	134	79	420	253	220	-	53	-	53
200	802.60-1	340	295	268	28	4-Φ22	M20	8-Φ22	811	349	216	89	230	410	144	110	552	330	360	76	86.6	86.6	86.6
250	802.120-1	390	350	320	28	8-Φ22	M20	12-Φ22	856	436	219	114	250	410	144	110	552	330	360	105	117	117	117
300	802.250-1	450	400	370	28	8-Φ22	M20	12-Φ22	1008	531	267	114	270	473	148	140	625	365	500	161	181	181	181
350	802.250-1	505	460	430	30	12-Φ22	M20	16-Φ22	1097	572	315	127	290	473	148	140	625	365	500	189	221	221	221
400	802.250-1	565	515	482	30	12-Φ26	M24	16-Φ26	1169	609	350	140	310	473	148	140	625	365	500	238	270	270	270
450	802.250-1	615	565	532	34	16-Φ26	M24	20-Φ26	1219	636	373	152	330	473	148	140	625	365	500	261	301	301	301
500	802.500-0.5	670	620	585	34	16-Φ26	M24	20-Φ26	1318	680	428	152	350	473	148	140	625	365	500	260	307	307	307
600	802.500-0.5	780	725	685	35	16-Φ30	M27	20-Φ30	1380	720	450	178	390	473	148	140	625	365	500	380	446	446	446
700	802.1000-0.2	895	840	800	40	20-Φ30	M27	24-Φ30	1839	1629	528	229	430	590	148	140	696	230	500	598	691	691	691
800	Z60-3D1500	1015	950	905	44	20-Φ33	M30	24-Φ33	1663	942	573	241	470	834.5	180	439.5	970	510	360	781	910	910	910
900	Z60-3D1500	1115	1050	1005	44	24-Φ33	M30	28-Φ33	1787	1000	639	241	510	834.5	180	439.5	970	510	360	895	1048	1048	1048
1000	Z120-3D2500	1230	1160	1110	50	24-Φ36	M33	28-Φ36	1983	1108	723	300	550	1050	180	520	1044	553	360	1255	1355	1355	1355
1200	Z120-3D2500	1455	1380	1330	52	28-Φ39	M36	32-Φ39	2202	1217	833	350	630	1050	180	520	1044	553	360	1586	1842	1842	1842

主要外形尺寸及重量 Main Overall Dimension and Weight

PN1.6MPa

规格 Size DN	手动装置 Hand operations	D	D <sub>1</sub>	d	b	短结构 Short structure		长结构 Long structure		H	H <sub>1</sub>	H <sub>2</sub>	L		L <sub>1</sub>	L <sub>2</sub>	L <sub>3</sub>	L <sub>4</sub>	L <sub>5</sub>	Φ	总重wt (kg)		
						n-d0	4-M	n-d0	n-d0				4-M	短结构 Short structure							长结构 Long structure	短结构 Short structure	长结构 Long structure
100	802.20-1	220	180	156	24	-	-	8-Φ19	569	279	122	-	190	323	134	79	420	253	220	-	40	-	40
150	802.20-1	285	240	211	26	-	-	8-Φ23	642	321	153	-	210	323	134	79	420	253	220	-			

D3/942X型(Type)



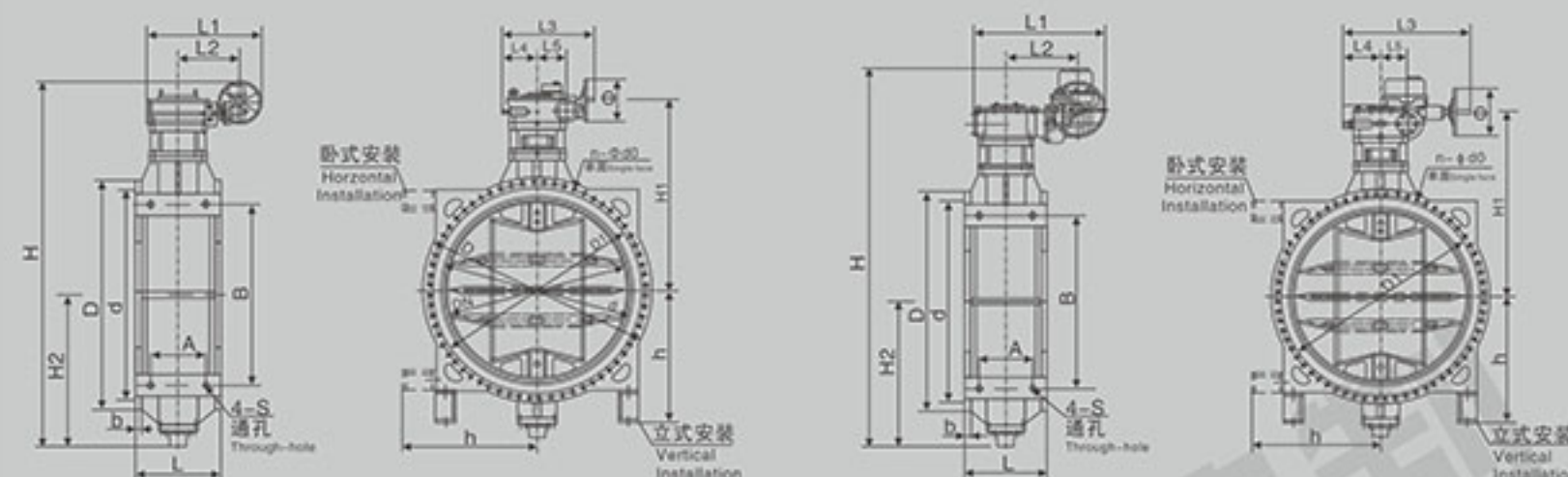
■ 产品执行标准 Product Enforce Standards

- 1、符合GB/T12238《通用阀门法兰和对夹连接蝶阀》标准。
- 2、试验符合GB/T13927《通用阀门压力试验》标准。
- 3、侧法兰符合GB/T17241.6《整体铸铁管法兰》标准。
- 4、结构长度
  - (1)短结构符合GB/T12221《法兰连接金属阀门结构长度》中对夹蝶阀长系列尺寸规定。
  - (2)长结构符合GB/T12221《法兰连接金属阀门结构长度》中双法兰连接蝶阀长系列尺寸规定。

1. In line with the GB/T12238《General valve flange and connected to the clamp butterfly valve》standards.
2. Test in accordance with GB/T13927 standard for《General valve pressure test》.
3. Side flange in accordance with GB/T17241.6 standard for《The whole cast iron pipe flanges》.
4. Face-to-Face
  - (1) Short structure in accordance with GB/T12221《The length of flange connection structure of metal valve》butterfly valve to the clamp long series of size.
  - (2) Structure in line with the GB/T12221《Long the length of flange connection structure of metal valve》long series double flange butterfly valve size.

■ 主要性能参数 Main Performance Parameters

公称压力 Nominal pressure(MPa)	1.0	0.6	
公称通径 Nominal diameter(mm)	1400~2000	2200~3000	
试验压力 Test pressure (MPa)	壳体 Shell	1.5	0.9
	密封 Seal	1.1	0.66
适用温度 Applicable temperature (°C)	-15~+80		
适用介质 Applicable medium	淡水、污水、海水、空气等 Fresh water, sewage, sea water, air, etc		



D342X-6/10 DN1400-2600

D942X-6/10 DN1400-2600

■ 软密封单偏心蜗轮蜗杆传动法兰蝶阀主要外型尺寸及重量

Soft Sealant Single-eccentric Worm Gear Worm Drive Flanged Butterfly Valve With Its Main External Size And Weight

PN0.6/1.0MPa

规格 Size DN	D	D1	d	b	h	短结构 (Short)		长结构 (Long)		H	H1	H2	B	A		L		4-S	L1	L2	L3	L4	L5	Φ	总重WT(kg)	
						n-do	4-M	n-do	n-do					短结构 (Short)	长结构 (Long)	短结构 (Short)	长结构 (Long)								短结构 (Short)	长结构 (Long)
1400	1675	1590	1530	62	960	32-φ42	4-M39	36-φ42	2996	1668	1078	1500	200	475	390	710	φ33	1270	598	1089	387	414	500	3863	4280	
1600	1915	1820	1750	68	1050	36-φ48	4-M45	40-φ48	3246	1778	1218	1600	260	530	440	790	φ33	1270	598	1089	387	414	500	4367	4953	
1800	2115	2020	1950	70	1197	40-φ48	4-M45	44-φ48	3720	2044	1426	1900	300	570	490	870	φ33	1625	745	1399	387	602	500	6621	7416	
2000	2325	2230	2150	74	1320	44-φ48	4-M45	48-φ48	3851	2115	1486	2000	350	750	540	950	φ36	1630	750	1430	417	602	500	8324	9327	
2200	2475	2390	2335	60	1377	-	-	52-φ42	4300	2400	1650	2110	-	750	-	1000	φ45	1630	750	1430	417	602	500	-	10590	
2400	2685	2600	2545	62	1477	-	-	56-φ42	4551	2515	1786	2310	-	750	-	1100	φ45	1630	750	1430	417	602	500	-	12320	
2600	2905	2810	2750	64	1675	-	-	60-φ48	5016	2735	2031	2640	-	800	-	1200	φ45	1630	750	1430	417	602	500	-	14028	

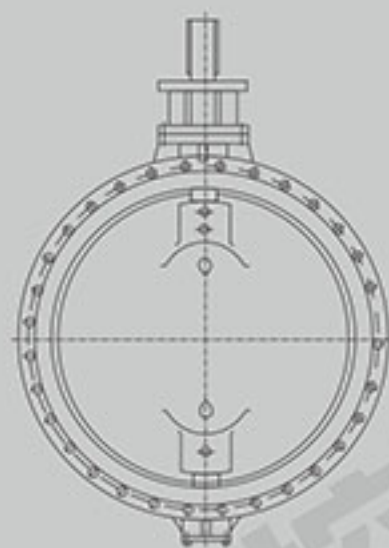
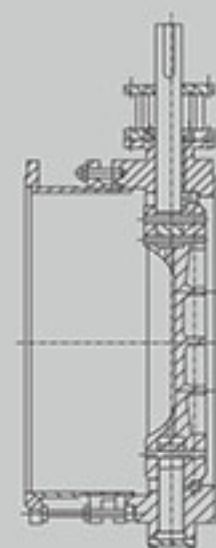
■ 软密封单偏心电动法兰蝶阀主要外型尺寸及重量

Main External Size And Weight of The Soft Seal Single Eccentric Electric Flange Butterfly Valve

PN0.6/1.0MPa

规格 Size DN	D	D1	d	b	h	短结构 (Short)		长结构 (Long)		H	H1	H2	B	A		L		4-S	L1	L2	L3	L4	L5	Φ	总重WT(kg)	
						n-do	4-M	n-do	n-do					短结构 (Short)	长结构 (Long)	短结构 (Short)	长结构 (Long)									
1400	1675	1590	1530	62	960	32-φ42	4-M39	36-φ42	2861	1472	1078	1500	200	475	390	710	φ33	1274	672	1289	280	414	360	4425	4008	
1600	1915	1820	1750	68	1050	36-φ48	4-M45	40-φ48	3111	1582	1218	1600	260	530	440	790	φ33	1274	672	1289	280	414	360	5095	4509	
1800	2115	2020	1950	70	1197	40-φ48	4-M45	44-φ48	3585	1848	1426	1900	300	570	490	870	φ33	1629	819	1682	410	602	360	7576	6781	
2000	2325	2230	2150	74	1320	44-φ48	4-M45	48-φ48	3672	1875	1486	2000	350	750	540	950	φ36	1805	995	1442	410	602	360	8471	9519	
2200	2475	2390	2335	60	1377	-	-	52-φ42	4121	2160	1650	2110	-	750	-	1000	φ45	1805	995	1442	410	602	360	-	10737	
2400	2685	2600	2545	62	1477	-	-	56-φ42	4372	2275	1786	2310	-	750	-	1100	φ45	1805	955	1442	410	602	360	-	12467	
2600	2905	2810	2750	64	1675	-	-	60-φ48	4837	2495	2031	2640	-	800	-	1200	φ45	1805	955	1442	410	602	360	-	14175	

SD3/943X型(Type)



D<sub>1</sub>系列 Series



D<sub>2</sub>系列 Series



D<sub>3</sub>系列 Series



注: D-副瓣普通蝶阀  
DA-体密封为嵌不锈钢型  
DB-密封副瓣嵌在阀体上  
Note: D-Ordinary butterfly valve of Brush plating  
DA-Body is sealed in stainless steel  
DB-The sealing seat is embedded in the body

### 产品概述 Product Overview

软密封偏心结构伸缩型法兰蝶阀是我厂继法兰蝶阀和伸缩节之后开发的又一新品,它是集法兰蝶阀、伸缩节于一体的新颖结构,以其良好的使用性能深受用户的信赖,本产品主要适用于水厂、电厂、钢厂冶炼、造纸化工、水源工程,环境设施建设等系统给排水用,可作为老管道改造,维修和配套阀门的换代,尤其适用于水道管路上作为调节和截流设备使用。  
Soft seal structure of eccentric type telescopic flange butterfly valves is our factory after flanged butterfly valves and slip joint development of a new product, it is a collection of flange plate valve, expansion joints in the integration of novel structure, with its good performance is trusted by the user, the use of this product is mainly suitable for water plants, power plants, steel mills, smelting, paper making, water chemical engineering, water supply and drainage, environmental infrastructure projects such as system can be used as old pipeline renovation, repair and form a complete set of the valve, especially suitable for waterway piping used as adjustment and the closure device.

### 产品特点 Product Features

- 1、设计合理、结构紧凑、90°旋转,启闭灵活。
  - 2、采用偏心结构,密封副之间自动建立密封比压,减少密封圈的摩擦,延长阀门使用寿命。
  - 3、密封结构无机械连接,能适应较恶劣的工况。在完全密封时,泄露为零。
  - 4、阀座抗冲刷能力强。
  - 5、伸缩部位密封性能可靠,安装拆卸方便。
  - 6、能适应一定量的管路错位和倾斜,并且管路连接不需焊接。
1. Reasonable design, compact structure, rotate 90 DHS, flexible opening and closing.  
2. Adopts eccentric structure, seal between the sealing pressure ratio, are built automatically reduce the friction sealing ring, prolong the service life of the valve.  
3. Seal structure without mechanical connection, can adapt to the harsh conditions. When completely sealed, leaked to zero.  
4. Seat anti-scouring ability.  
5. Telescopic parts reliable sealing performance, easy installation and removal.  
6. Can adapt to a certain amount of line displacement and tilt, and there is no need of welding connection pipeline.

### 产品执行标准 Product Enforce Standards

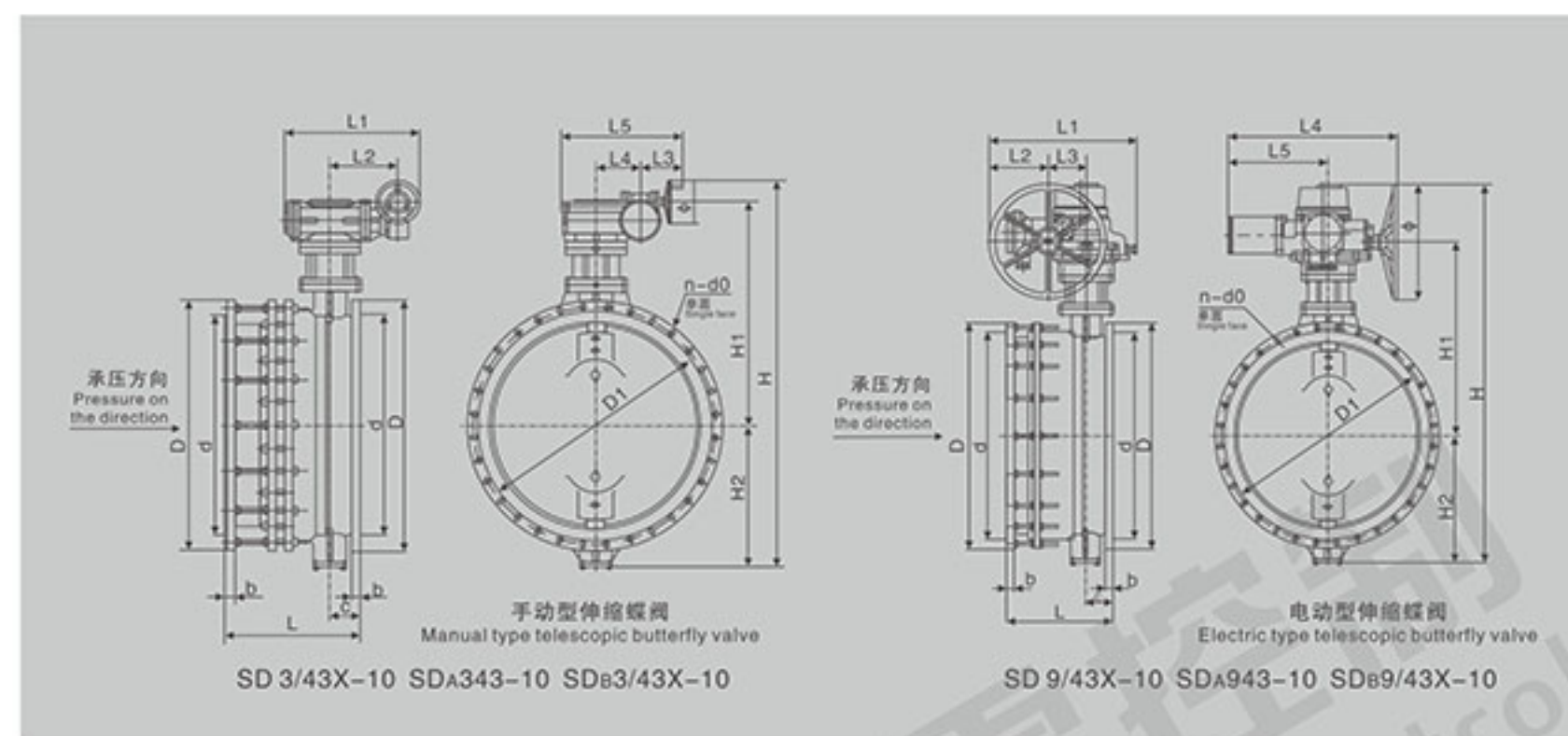
- 1、符合GB12238《通用阀门法兰和对夹连接蝶阀》标准。
  - 2、试验符合GB/T13927《通用阀门压力试验》标准。
  - 3、侧法兰连接符合GB/T17241.6《整体铸铁管法兰》标准。同时符合BS4504, ISO2084, DIN 12501中PN1.0MPa, PN1.6MPa法兰连接标准。
1. In line with the GB/T12238《General valve flange and connected to the clamp butterfly valve》standards.  
2. Test in accordance with GB/T13927 standard for《General valve pressure test》.  
3. Side flange in accordance with GB/T17241.6 standard for《The whole cast iron pipe flanges》. At the same time meet BS4504 ISO2084, DIN 12501 PN1.0 MPa, PN1.6 MPa flange connection standard.

### 主要性能参数 Main Performance Parameters

公称压力 Nominal pressure	公称口径 Nominal diameter	试验压力 Test pressure(MPa)		适用温度 Applicable temperature
PN(MPa)	DN(mm)	壳体 Shell	密封 Seal	℃
1.0	300~2000	1.5	1.1	-15~+120
适用介质 Applicable medium		饮用水、污水、海水等介质 Drinking water, sewage, sea water, medium etc		
驱动方式 Drive way		蜗轮蜗杆传动、电动 Worm gear and worm drive, electric		

### 主要零件材料 Main Parts Material

名称 Name	阀体 Body	阀板 Disc	转轴 Turn shaft	轴套 Shaft sleeve	阀板密封圈 Disc sealing ring	填料 Packing
材料 Material	HT200	QT500	2Cr13	ZCuZn38Mn2Pb2	丁腈橡胶 Nitrile rubber	丁腈橡胶 Nitrile rubber



### 主要外形尺寸 Main Overall Dimension(手动 Manual)

PN1.0MPa

DN (mm)	手动装置 Manual device	D	D1	d	b	C	L			n-d0	4-M	H	H1	H2	L1	L2	L3	L4	L5	φ	WT (Kg)
							L0	Lmax	Lmin												
300	3D-30/250	445	400	370	28	57	282	302	252	8-φ23	M20	959	542	267	449	178	254	104	473	300	148
350	3D-30/250	505	460	429	30	64	301	321	271	12-φ23	M20	1048	583	315	449	178	254	104	473	300	188
400	3D-30/250	565	515	480	32	70	313	333	283	12-φ28	M24	1120	620	350	449	178	254	104	473	300	237
450	3D-30/250	615	565	530	32	76	334	354	304	16-φ28	M24	1190	667	373	449	178	254	104	473	300	268
500	3D-30/400	670	620	582	34	76	346	366	316	16-φ28	M24	1280	702	428	486	196	254	130	528	300	289
600	3D-60/800	780	725	682	36	89	398	418	368	16-φ31	M27	1409	759	450	627	244	245	162	596	400	480
700	3D-60/800	895	840	794	40	115	425	445	395	20-φ31	M27	1613	885	528	627	244	245	162	596	400	615
800	3D-120/1500	1015	950	901	44	120	455	475	425	20-φ34	M30	1736	1013	573	635	270	295	196	711	300	818
900	3D-120/1500	1115	1050	1001	46	120	485	505	455	24-φ34	M30	1860	1071	639	635	270	295	196	711	300	956
1000	3D-120/1500	1230	1160	1112	50	150	495	515	465	24-φ37	M33	2107	1234	723	955	455	296	295	807	300	1277
1200	3D-120/1500	1455	1380	1328	56	175	542	562	512	28-φ40	M36	2326	1343	833	955	455	296	295	807	300	1764
1400	3D-200/4000	1675	1590	1530	62	195	612	632	582	32-φ43	M39	2996	1668	1078	1270	598	387	414	1089	500	4280
1600	3D-200/4000	1915	1820	1750	68	220	640	660	610	36-φ49	M45	3246	1778	1218	1270	598	387	414	1089	500	4953
1800	3D-200/12000	2115	2020	1950	70	245	710	730	680	40-φ49	M45	3720	2044	1426	1625	745	387	602	1399	500	7416
2000	3D-600/12000	2325	2230	2150	74	270	775	795	745	44-φ49	M45	3851	2115	1486	1630	750	417	602	1430	500	9372

### 主要外形尺寸 Main Overall Dimension(电动 Electric)

PN1.0MPa

DN (mm)	电动装置 Electric device	D	D1	d	b	C	L			n-d0	4-M	H	H1	H2	L1	L2	L3	L4	L5	φ	WT (Kg)
							L0	Lmax	Lmin												
300	802.250-1	445	400	370	28	57	282	302	252	8-φ23	M20	1008	531	267	473	148	140	625	365	500	181
350	802.250-1	505	460	429	30	64	301	321	271	12-φ23	M20	1097	572	315	473	148	140	625	365	500	221
400	802.250-1	565	515	480	32	70	313	333	283	12-φ28	M24	1169	609	350	473	148	140	625	365	500	270
450	802.250-1	615	565	530	32	76	334	354	304	16-φ28	M24	1219	636	373	473	148	140	625	365	500	301
500	802.500-0.5	670	620	582	34	76	346	366	316	16-φ28	M24	1318	680	428	473	148	140	625	365	500	307
600	802.500-0.5	780	725	682	36	89	398	418	368	16-φ31	M27	1380	720	450	473	148	140	625	365	500	446
700	802.1000-0.2	895	840	794	40	115	425	445	395	20-φ31	M27	1839	829	528	590	148	140	696	230	500	691
800	ZA36024-3D1500	1015	950	901	44	120	455	475	425	20-φ34	M30	1663	942	573	740	215	196	1028	612	305	910
900	ZA36024-3D1500	1115	1050	1001	46	120	485	505	455	24-φ34	M30	1787	1000	639	740	215	196	1028	612	305	1048
1000	ZA36024-3D1500	1230	1160	1112	50	150	495	515	465	24-φ37	M33	1983	1108	723	970	310	295	1123	612	305	1355
1200	ZA312024-3D2500	1455	1380	1328	56	175	542	562	512	28-φ40	M36	2202	1217	833	970	310	295	1123	612	305	1842
1400	ZA416024-3D4000	1675	1590	1530	62	195	612	632	582	32-φ43	M39	2861	1472	1078	1224	422	414	1452	750	457	4345
1600	ZA416024-3D4000	1915	1820	1750	68	220	640	660	610	36-φ49	M45	3111	1582	1218	1224	422	414	1452	750	457	4992
1800	ZA424024-3D12000	2115	2020	1950	70	245	710	730	680	40-φ49	M45	3585	1848	1426	1640	630	602	1762	750	457	7630
2000	ZA424024-3D12000	2325	2230	2150	74	270	775	795	745	44-φ49	M45	3672	1875	1486	1995	630	602	1762	750	457	9050

#### 产品概述 Product Overview

本厂生产的对夹式蝶型止回阀由阀体、阀瓣、阀杆及弹簧等零件组成,采用国外先进结构设计,符合有关国家标准,属节能型产品。对夹式蝶型止回阀由于阀瓣的关闭行程短,并且有弹簧加载,可显著减少水锤现象。因其结构长度比一般止回阀短,对有安装空间限制的场所最为适用。此产品止回性能好,安全可靠,流阻系数小,主要适用于石油、化工、食品、医药、轻纺、造纸、给排水、冶炼及能源等系统,作为单向阀使用。

The factory production of wafer butterfly check valve by valve body, disc, the valve stem and spring parts, using the overseas advanced structural design, in line with the relevant national standards, energy-saving products. The dual butterfly check valve is short and has a spring load, which can significantly reduce the water hammer phenomenon. Because its structure length is shorter than the general check valve, it is most applicable to the place where the installation space is limited. Check the product performance is good, safe and reliable, small coefficient of flow resistance, mainly used in petroleum, chemical, food, medicine, textile, paper making, water supply and drainage, metallurgy and energy systems, such as used as a one-way valve.



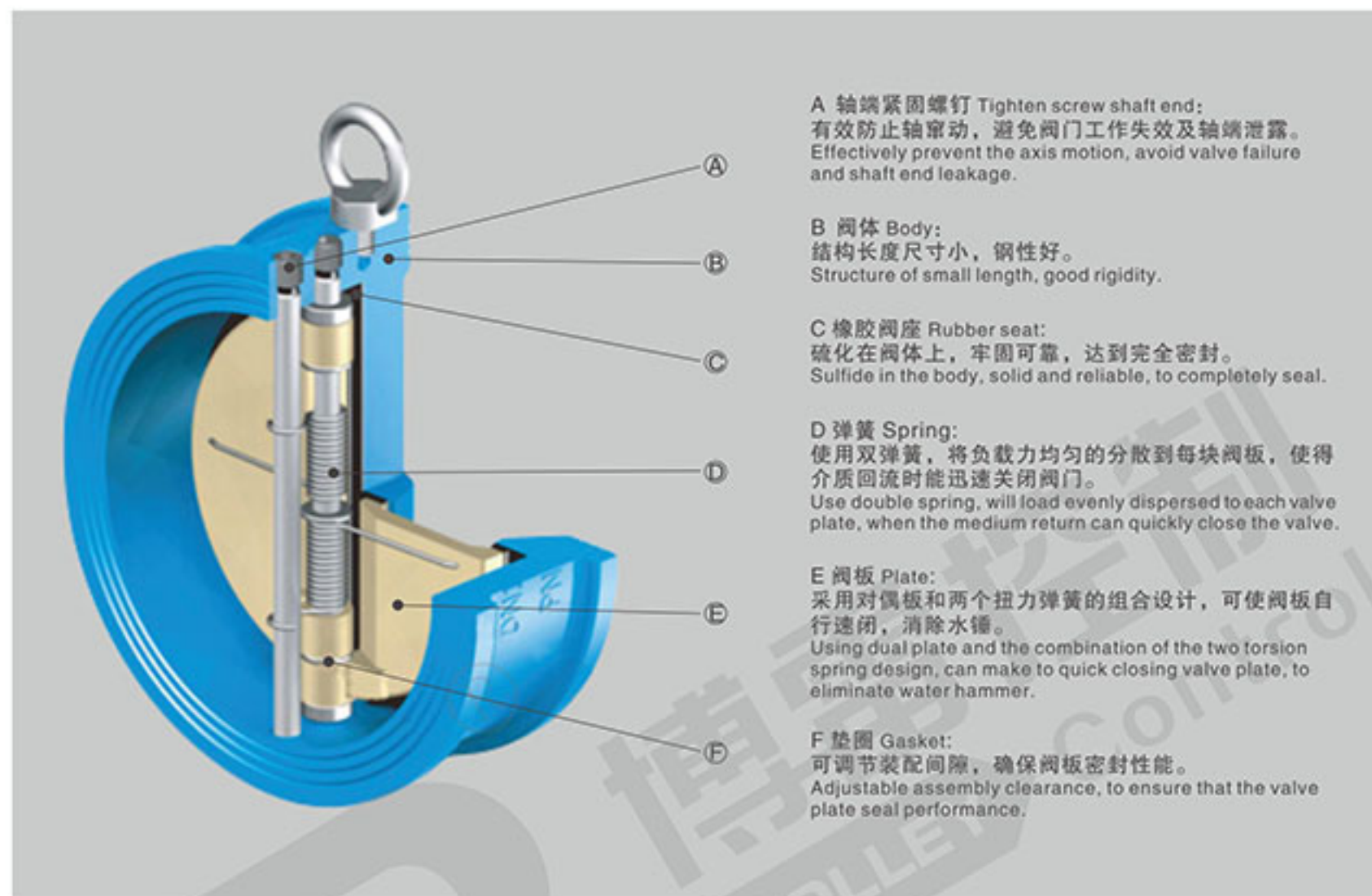
#### 产品特点 Product Features

- 1、体积小,重量轻,结构紧凑,维修方便。
- 2、阀板采用对偶式,在弹簧的弹性力矩下可自行速闭。
- 3、因速闭作用,可防止介质倒流,消除水锤作用强。
- 4、阀体结构长度尺寸小,刚性好,安全可靠。
- 5、达到完全密封,水压试验泄露为零。
- 6、安装方便,可用于水平垂直两个方向安装。
- 7、法兰连接尺寸符合GB/T17241.6-98之规定。
- 8、结构长度符合GB/T12221-89、ISO5752-82之规定。

1. Small volume, light weight, compact structure, easy maintenance.
2. The valve plate adopts dual type, in the spring under the elastic moment of quick closing on its down.
3. Because of the quick closing effect, can prevent the backflow medium, eliminate water hammer effect is strong.
4. The body structure of small length, good rigidity, safe and reliable.
5. Completely sealed, water pressure test leak is zero.
6. Easy installation, can be used for horizontal two vertical direction installation.
7. Flange connection size comply with the provisions of GB/T17241.6-98.
8. Structure length comply with GB/T12221-89, ISO5752-89.

#### 主要性能参数 Main Performance Parameters

系列 Series	EH	AH	BH	MH					
公称通径DN(mm)	40-700(1.5"-28")	50-750(2"-30")	50-300(2"-12")	50-500(2"-20")	50-300(2"-12")	50-600(2"-24")	50-400(2"-16")		
公称压力PN(MPa)	1.0MPa	150PSI	200PSI	150PSI	200PSI	1.0MPa	1.6MPa	2.5MPa	
试验压力 Test pressure	壳体 Shell	1.5MPa	225PSI	300PSI	225PSI	300PSI	1.5MPa	2.4MPa	3.75MPa
	密封 Seal	1.1MPa	165PSI	220PSI	165PSI	220PSI	1.1MPa	1.76MPa	2.75MPa
适用温度 Applicable temperature	-15≤150℃								
适用介质 Applicable medium	淡水、污水、海水、空气、蒸汽、食品、药品、各种油类、酸类、油类等。 Fresh water, sewage, sea water, air, steam, food, medicines, all kinds of oils, acids, oil, etc.								



A 轴端紧固螺钉 Tighten screw shaft end:  
有效防止轴窜动,避免阀门工作失效及轴端泄露。  
Effectively prevent the axis motion, avoid valve failure and shaft end leakage.

B 阀体 Body:  
结构长度尺寸小,刚性好。  
Structure of small length, good rigidity.

C 橡胶阀座 Rubber seat:  
硫化在阀体上,牢固可靠,达到完全密封。  
Sulfide in the body, solid and reliable, to completely seal.

D 弹簧 Spring:  
使用双弹簧,将负载力均匀的分散到每块阀板,使得介质回流时能迅速关闭阀门。  
Use double spring, will load evenly dispersed to each valve plate, when the medium return can quickly close the valve.

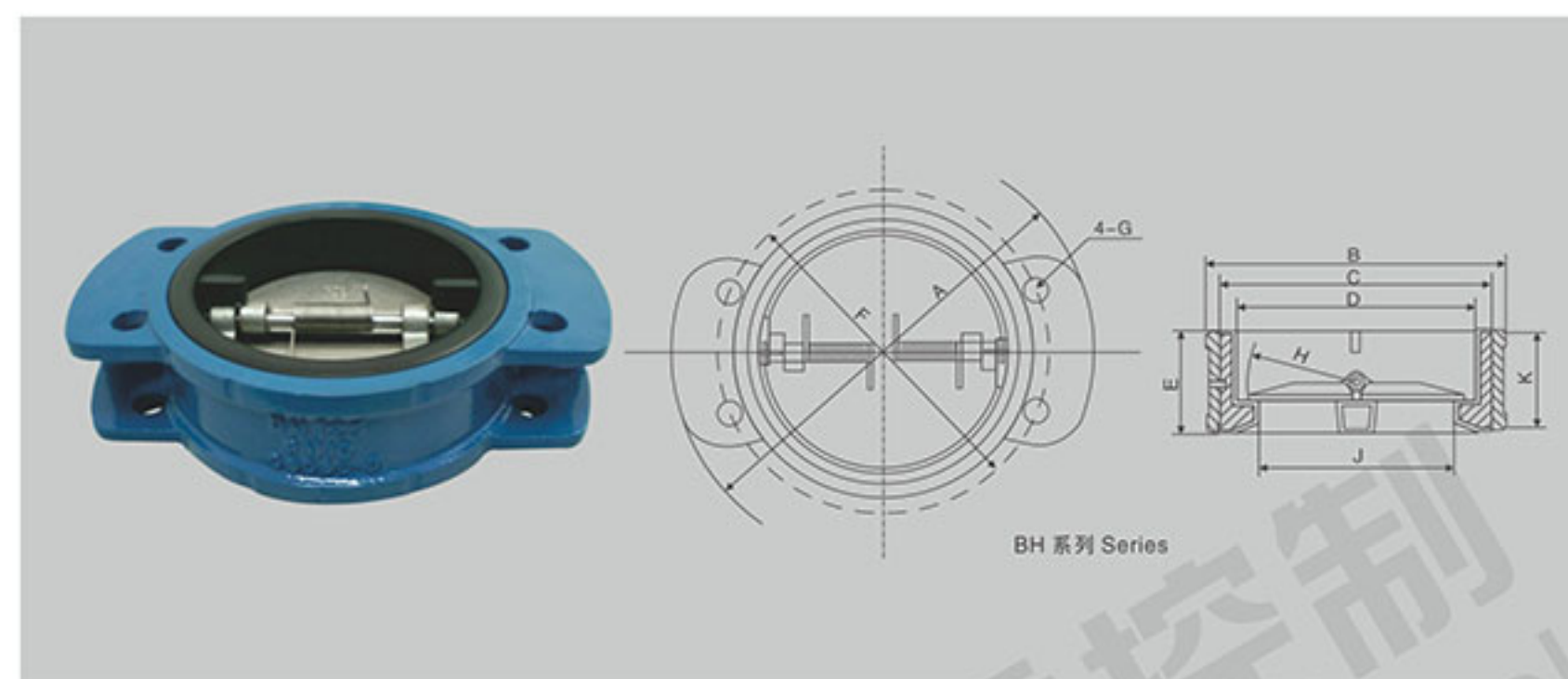
E 阀板 Plate:  
采用对偶板和两个扭力弹簧的组合设计,可使阀板自行速闭,消除水锤。  
Using dual plate and the combination of the two torsion spring design, can make to quick closing valve plate, to eliminate water hammer.

F 垫圈 Gasket:  
可调节装配间隙,确保阀板密封性能。  
Adjustable assembly clearance, to ensure that the valve plate seal performance.

#### 主要零件材料 Main Parts Material

序号 No.	零件名称 Part name	材料 Material		
		AH EH	BH	MH
1	阀体 Body	灰铸铁、CI球、墨铸铁DI、WCB CF8 CF8M、铝青铜ALB	灰铸铁 CI 球墨铸铁 DI WCB CF8 CF8M 铝青铜ALB	WCB CF8 CF8M 铝青铜 ALB
2	阀座 Seat	丁腈橡胶、NBR、乙丙橡胶、EPDM 氟橡胶等	球墨铸铁衬橡胶 DI Covered Rubber	丁腈橡胶 NBR 乙丙橡胶 EPDM 氟橡胶 VITON etc.
3	阀板 Plate	球墨铸铁、DI铝青铜 ALB CF8 CF8M	球墨铸铁 DI 铝青铜 ALB CF8 CF8M	WCB CF8 CF8M 铝青铜 ALB
4	转轴 Turn shaft	不锈钢SS 304/316	304 316	WCB CF8 CF8M 铝青铜 ALB
5	弹簧 Spring		304	-





■ 主要外形尺寸 Main Overall Dimension

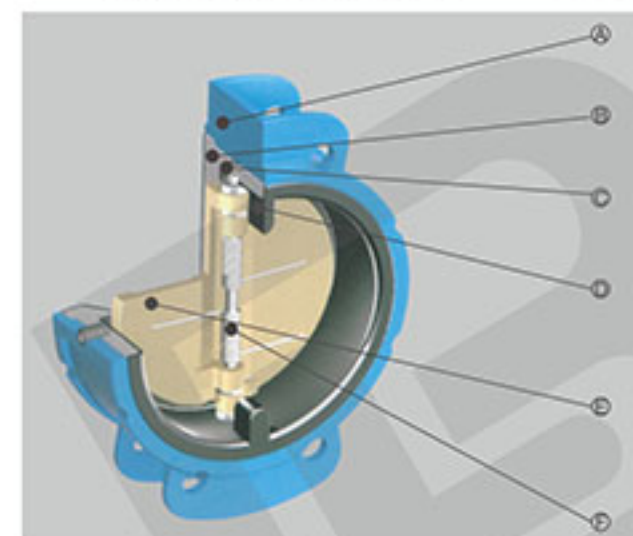
DN(mm)	NPS(in)	D	D1	D2	L	R	t	WT (Kg)
40	1.5"	92	65	43.3	43	28.8	19	1.5
50	2"	107	65	43.3	43	28.8	19	1.5
65	2 1/2"	127	80	60.2	46	36.1	20	2.4
80	3"	142	94	66.4	64	43.4	28	3.6
100	4"	162	117	90.8	64	52.8	27	5.7
125	5"	192	145	116.9	70	65.7	30	7.3
150	6"	218	170	144.6	76	78.6	31	9.0
200	8"	273	224	198.2	89	104.4	33	17
250	10"	328	265	233.7	114	127	50	26
300	12"	378	310	283.9	114	148.3	43	42
350	14"	438	360	332.9	127	172.4	45	55
400	16"	489	410	381.0	140	197.4	52	75
450	18"	539	450	419.9	152	217.8	58	101
500	20"	594	505	467.8	152	241	58	111
600	24"	690	624	572.6	178	295.4	73	172
700	28"	800	720	680	229	354	98	219

注：如需要PN1.6MPa产品请与工厂联系。 Notice: If need PN1.6 PMPa products please contact the Bray.

■ 主要外形尺寸 Main Overall Dimension

DN(mm)	NPS(in)	D	D1	R	L	t	D2	WT(Kg)
50	2"	105(4.134)	65(2.559)	29.73(1.17)	54(2.12)	25(0.984)	32.18(1.26)	2.8
65	2.5"	124(4.882)	78(3.071)	36.14(1.423)	60(2.38)	29.3(1.154)	42.31(1.666)	3
80	3"	137(5.39)	94(3.701)	43.42(1.709)	67(2.62)	27.7(1.091)	66.87(2.633)	3.8
100	4"	175(6.89)	117(4.606)	55.66(2.191)	67(2.62)	26.7(1.051)	97.68(3.846)	5.5
125	5"	187(7.362)	145(5.709)	67.68(2.665)	83(3.25)	38.6(1.52)	111.19(4.378)	7.4
150	6"	222(8.74)	171(6.732)	78.64(3.096)	95(3.75)	46.3(1.823)	127.13(5.005)	10.9
200	8"	279(10.984)	222(8.740)	102.5(4.035)	127(5)	66(2.598)	161.8(6.370)	22.5
250	10"	340(13.386)	276(10.866)	126(4.961)	140(5.5)	70.7(2.783)	213.6(8.490)	36
300	12"	410(16.142)	327(12.874)	154(6.063)	181(7.12)	102(4.016)	237.9(9.366)	54
350	14"	451(17.756)	375(14.764)	179.9(7.083)	184(7.25)	89.2(3.512)	312.5(12.303)	80
400	16"	514(20.236)	416(16.378)	198.4(7.811)	191(7.5)	92.5(3.642)	351.0(13.819)	116
450	18"	549(21.614)	467(18.386)	226.2(8.906)	203(8)	96.2(3.787)	409.4(16.118)	138
500	20"	606(23.858)	514(20.236)	248.2(9.72)	213(8.374)	102.7(4.043)	451.9(17.791)	175
600	24"	718(28.268)	616(24.252)	297.4(11.709)	222(8.75)	107.3(4.224)	554.7(21.839)	239
750	30"	884(34.8)	772(30.39)	374(14.724)	305(12)	150(5.905)	685.2(26.976)	659

■ BH系列对夹式蝶形剖面图 BH Series Wafer Butterfly Valve Section



A 阀体 Body: 符合ASME B1 6.1标准法兰管道的连接尺寸。  
Conform to ASME B1 6.1 standard flange pipe connection size.

B 阀座 Seat: 承担全部压力, 橡胶内衬防止介质与阀体接触。  
Bear all the pressure, the rubber lining to prevent medium in contact with the valve body.

C 轴端紧固螺钉 Tighten screw shaft end: 有效防止轴窜动, 避免阀门工作失效及轴端泄露。  
Effectively prevent the axis motion, avoid valve failure and shaft end leakage.

D 止动垫 Stop mat: 由阀衬(2"-12")或316不锈钢(14"-20")材料制成。  
By the valve lining (2"~ 12") or 316 stainless steel material (14"~ 20").

E 阀板 Plate: 采用对偶板和两个扭力弹簧的组合设计, 可使阀板自行速闭, 消除水锤。  
Using dual plate and the combination of the two torsion spring design, can make to quick closing valve plate, to eliminate water hammer.

F 弹簧 Spring: 使用双弹簧, 将负载力均匀的分散到每块阀板, 使得介质回流时能迅速关闭阀门。  
Use double spring, will load evenly dispersed to each valve plate, when the medium return can quickly close the valve.

■ 最小开启压力 Minimum Opening Pressure

1. AH, BH, EH系列水平安装最小开启压力约为0.03 bar。
2. AH, BH, EH垂直安装最小开启压力约为0.1 bar。
3. MH系列最小开启压力约为0.05 bar。

■ 主要外形尺寸 Main Overall Dimension

DN(mm)	NPS(in)	A	B	C	D	E	F	G	H	J	K	WT (Kg)
50.00	2"	159.00	101.60	84.14	66.68	52.39	120.65	19.05	28.45	47.63	53.98	2.30
65.00	2.5"	178.00	120.65	98.43	79.38	52.39	139.70	19.05	36.51	58.74	53.98	2.80
80.00	3"	191.00	133.35	115.89	92.08	52.39	152.40	19.05	41.28	69.85	53.98	3.70
100.00	4"	235.00	171.45	142.88	117.48	61.91	190.50	19.05	53.98	87.31	63.50	6.80
125.00	5"	270.00	193.68	171.45	144.46	65.02	215.90	22.35	67.47	112.71	66.68	9.10
150.00	6"	305.00	222.25	200.03	171.45	77.79	241.30	22.35	80.17	141.29	79.38	11.80
200.00	8"	368.00	269.88	254.00	222.25	96.84	298.45	22.35	105.57	192.09	98.43	19.50
250.00	10"	429.00	336.55	307.98	276.23	100.01	361.95	25.40	130.18	230.19	101.60	26.40
300.00	12"	495.00	4.6.40	365.13	327.03	128.59	431.80	25.40	158.75	274.64	130.18	45.40
350.00	14"	572.00	447.68	396.88	358.78	177.80	476.25	28.45	171.45	306.39	180.98	61.30
400.00	16"	632.00	511.18	450.85	409.58	158.75	539.75	28.45	196.85	355.60	161.93	77.20
450.00	18"	641.00	546.10	508.00	460.37	180.97	577.85	31.75	222.25	406.14	184.15	100.00
500.00	20"	699.00	596.90	555.62	511.17	212.72	635.00	31.75	247.65	469.90	215.90	130.00



■ 主要外形尺寸 Main Overall Dimension

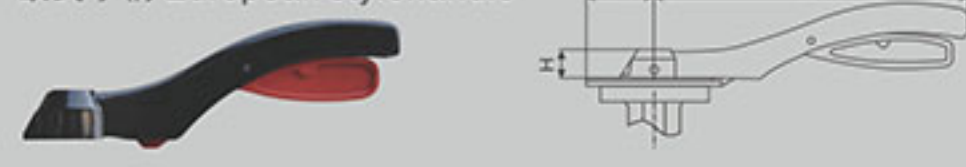
手柄传动 Handle drive



DN (mm)	NPS (in)	A	B	R	WT (Kg)
50-150	2"-6"	266.7	32	52	0.9
200-300	8"-12"	359	50	75.2	2.3

■ 主要外形尺寸 Main Overall Dimension

欧式手柄 European stylehandle



DN (mm)	NPS (in)	L1	L2	H	WT (Kg)
50-80	2"-3"	47	170	29	0.35
100-150	4"-6"	47	215	33	0.67

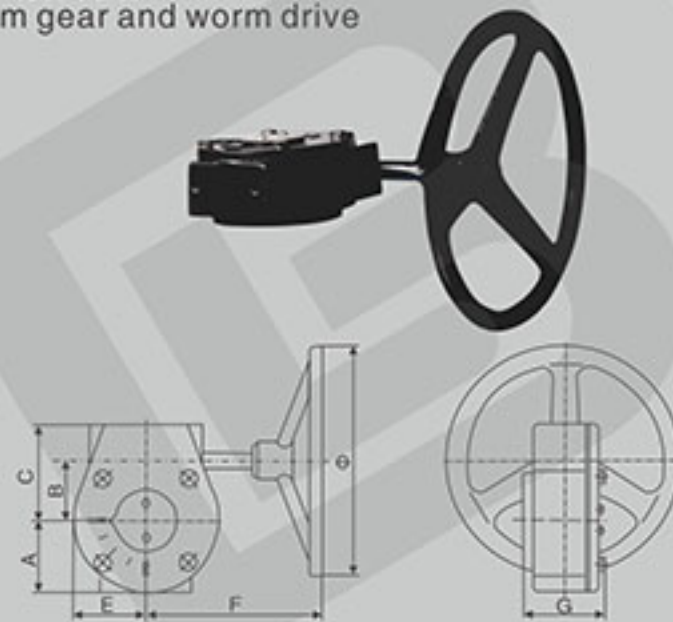
■ 主要外形尺寸 Main Overall Dimension

玛钢手柄 Malleable cast iron handle

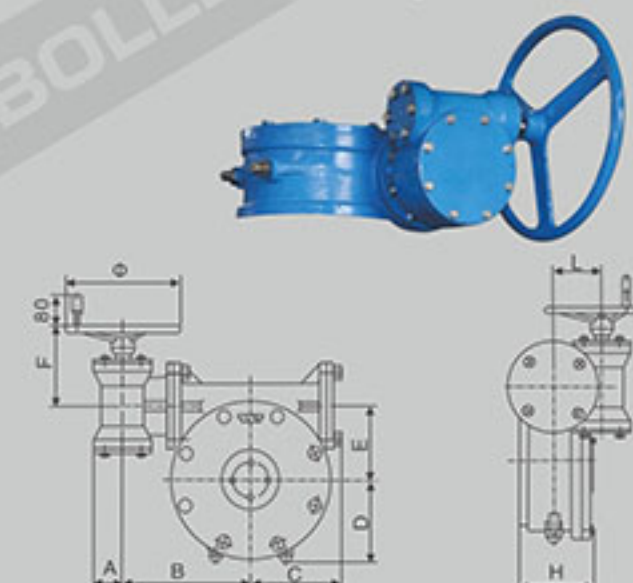


DN (mm)	NPS (in)	L1	L2	H	WT (Kg)
40-65	1.5"-2.5"	47	205	40	0.62
80	3"	47	265	40	0.62
100-150	4"-6"	47	265	40	0.86
200-250	8"-10"	75	315	56	1.64
300	12"	75	405	60	2.07

蜗轮蜗杆传动  
Worm gear and worm drive



二级蜗轮蜗杆传动  
Secondary worm gear and worm drive



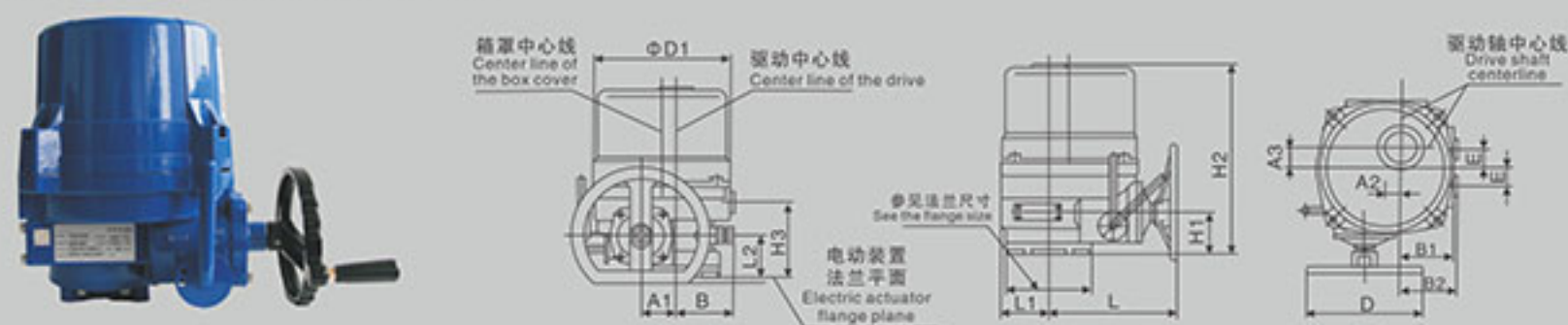
■ 主要外形尺寸 Main Overall Dimension (蜗轮蜗杆传动Worm gear and worm drive)

型号Type	DN(mm)	NPS(in)	A	B	C	E	F	G	φ	WT(Kg)
3DB-15	25-150	1"-6"	52	45	74	52	153	75	150	5.2
3DB-50	200-250	8"-10"	75	62.75	101	75	250	86	300	13
3DB-120	300-350	12"-14"	81	80	118	81	227	83	300	15

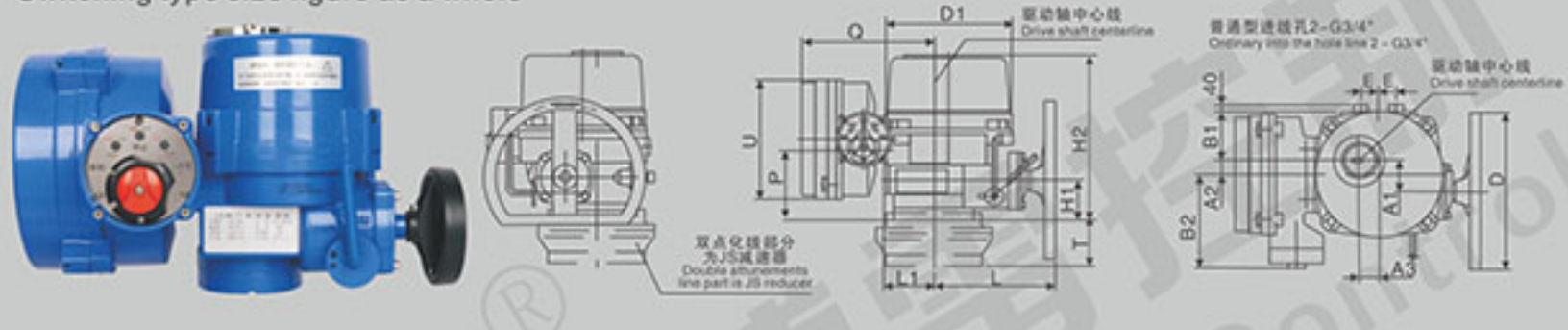
■ 主要外形尺寸 Main Overall Dimension (二级蜗轮蜗杆传动Secondary worm gear and worm drive)

型号 Type	PN1.0MPa		PN1.6/2.0MPa		A	B	C	D	E	F	H	L	φ	WT (Kg)
	DN(mm)	NPS(in)	DN(mm)	NPS(in)										
3D-30/250	400-500	16"-20"	400-450	16"-18"	56.5	178.5	121	115	104	174	125.5	66	300	56.9
3D-30/400	600	24"	500	20"	56.5	197.5	142	144	130	174	145.5	66	300	72.37
3D-60/800	700-800	28"-32"	600	24"	67	244	183	189	162	165	157	88	400	124
3D-120/1500	900-1000	36"-40"	-	-	76	270	215	220	196	215	235	126	300	158
3D-120/2500	1050-1200	42"-48"	-	-	76	418	265	265	240	215	315	126	435	370

基本开关外型尺寸图  
Basic switch appearance size chart



整体开关型外尺寸图  
Switching type size figure as a whole



■ 产品概述 Product Overview

QT型(NEUMAX)部分回转阀门电动装置适用于控制蝶阀、球阀、旋塞阀等做90°回转的阀门。该产品箱体采用压铸铝，外形美观、体积小、重量轻，具有高效率、高可靠性、高防护性能、低噪音等特点。可现场操作，也可远程控制。可广泛应用于石油、化工、发电厂、水处理、造纸等行业。该产品的防护等级为IP67。特殊订货可达IP68可生产基本型，带现场操作按钮灯盒型，整体型，整体调节型和防爆型(防爆等级为ExdIIBT4)及整体防爆型。

QT (NEUMAX) part of the rotary valve electric device is suitable for the control of butterfly valve, ball valve, plug valve and do 90° of rotary valve. The products adopt the die casting aluminum box, beautiful shape, small volume, light weight, with high efficiency, high reliability, high safety performance, low noise, etc. Site operation, but also can remote control. Can be widely used in petroleum, chemical industry, power plants, water treatment, paper and other industries. The protection grade of the product is IP67. Can produce basic special orders of IP68, a live action button type lamp box, the overall type, the external regulation and explosion-proof type, explosion-proof level for ExdIIBT4) and overall explosion-proof type.

■ 主要外形尺寸 Main Overall Dimension

型号 Type	A1	A2	A3	B1	B2	D	D1	E	H1	H2	L	L1	T	P	Q	U
QT1	44	17	36	68	150	200	170	27.5	62	257	181	62	/	109	177	190
QT2	49.5	22.5	30	77.5	150	200	200	27.5	64	263	190	85	/	113	198	190
QT3	60	33	35	77	150	200	220	27.5	70	304	205	88	/	119	203	190
QT4	70	43	38	92	150	250	260	27.5	78	342	228	106	/	127	220	190
QT4/JS	70	43	38	92	150	250	260	27.5	78	342	228	106	112	127	220	190

■ 按电气控制可分为 According to Electrical Control Can Be Divided Into

- 基本型:可选带行程、力矩无源接点,输出4~20mA阀位信号。
  - 带现场操作按钮灯盒型:可选带行程、力矩无源接点,输出4~20mA阀位信号。
  - 整体型:可控制电气元件和现场操作旋钮及现场远控选择按钮灯盒。可选带行程、力矩无源接点,现场远控工作状态无源接点,输出4~20mA阀位信号。鉴断相及自动换相保护装置等。
  - 整体调节型:带电气元件调节板元件和现场操作按钮及现场远控选择按钮灯盒。可选带行程、力矩无源接点,现场远控工作状态无源接点。鉴断相及自动换相保护装置等。
1. The basic model: optional passive contact with travel, torque, 4~20 mA output valve position signal.  
 2. A live action button lamp box type: optional passive contact with travel, torque, 4~20 mA output valve position signal.  
 3. Integral type: can control the electrical components and site operation knob and field remote control lamp box selection knob. Optional passive contact with travel, torque, the remote control work state of passive contact, 4~20 mA output valve position signal. Guide and phase commutation protection device automatically, etc.  
 4. The external regulation: electrical components adjustment plate element and site operation button and field remote control lamp box selection knob. Optional passive contact with travel, torque, the remote control the working status of passive contacts. Guide and phase commutation protection device automatically, etc.

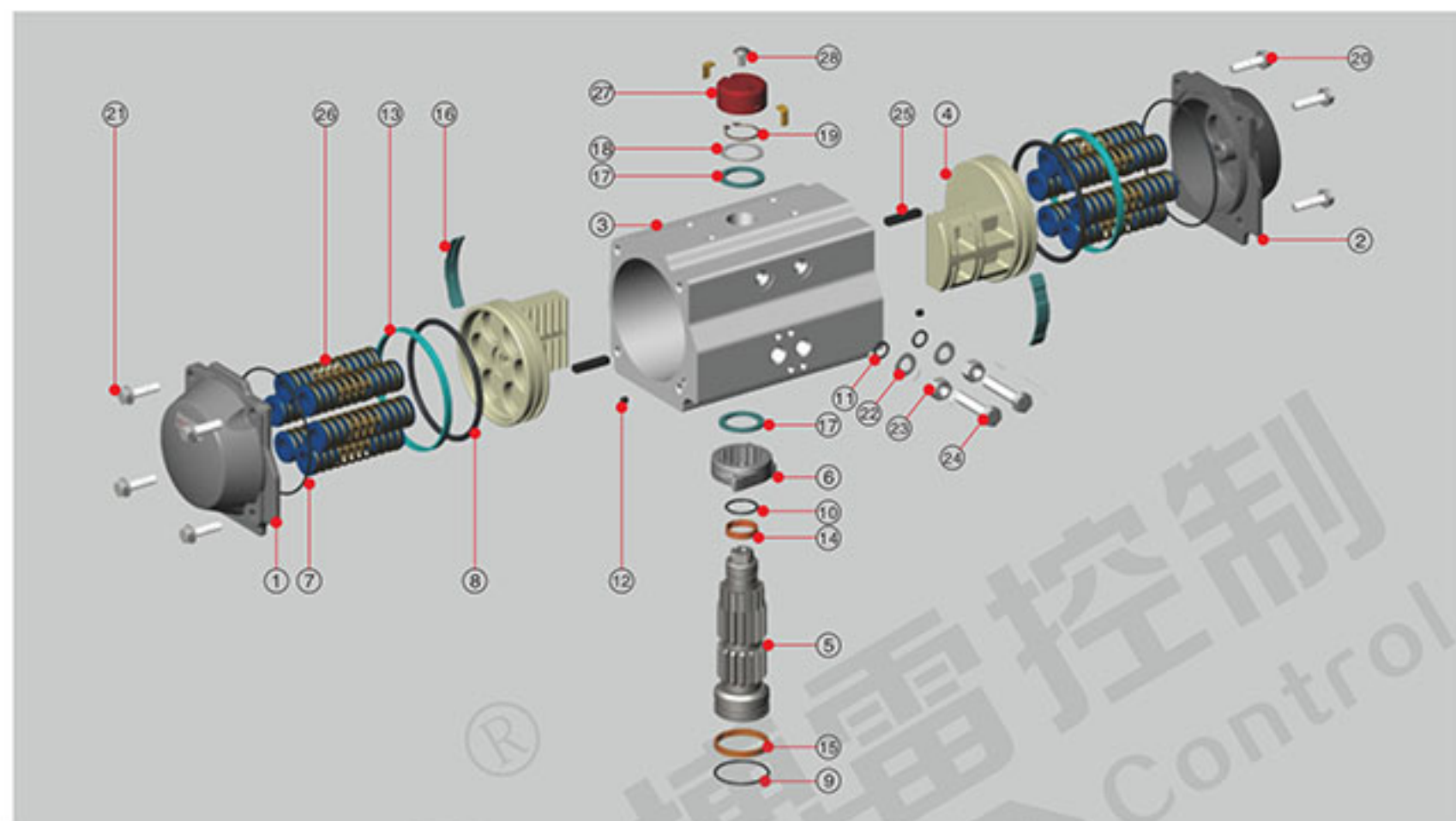
■ 主要技术参数 Main Technology Parameters

项目 Item	规格 Specification	输出转矩 Output Torque (N·m)	输出转速 Output Speed (r/min)	允许阀杆直径 Permissible Valve stem diameter (mm)	电机功率 Motor power (kW)	电机电流 Current of Motor (A)		90° 运行时间 Operation time for 90° turn (S)	参考净重 Reference Net weight (kg)	
						额定 Rated	堵转 Locked Rotor			
QT1	QT6-1	60	1	22	0.025	0.3	0.6	15	9	
	QT9-1	90			0.025					
QT2	QT5-1	50	1	22	0.025	0.3	0.6	18	10	
	QT10-1	100			0.025					
	QT10-2		2	0.04	0.6	0.9	9	12		
	QT15-1	150	1	0.04	0.6	0.9	18	12		
	QT15-2		2	0.06		9				
	QT20-1	200	1	0.06		18	13			
	QT20-2		2	0.06		9				
QT3	QT30-0.5	300	0.5	32	0.06	0.5	1.0	24	17	
	QT30-1		1		0.06			12		
	QT30-2	2	0.09		6					
	QT40-0.5	400	0.5	32	0.09	0.8	1.7	24	18	
	QT40-1		1		0.09			12		
	QT40-2	2	0.09		6					
	QT4	QT60-0.5	600	0.5	42	0.12	1.0	2.0	28	22
QT60-1		1		0.12		14				
QT60-2		2		7						
QT80-0.5		800	0.5	42	0.18	1.5	2.5	28	25	
QT80-1			1		0.18			14		
QT80-2		2		7						
QT100-0.5		1000	0.5	42	0.18	1.5	2.5	28	25	
QT100-1	1		0.18		14					
QT4/JS	QT150-0.3	1500	0.3	50	0.18	1.3	2.2	45	48	
	QT200-0.3	2000			0.20			1.8	3.0	50
	QT250-0.3	2500								

注: 1、输出转速为2r/min时,产品输出轴不自锁。当阀门有自锁要求时应给予注意。  
 2、产品为整体型时整机重量增加4kg。

Notice: 1. The output speed of 2 r/min, the product output shaft is not self locked. When required by the valve with self-locking should be given attention.  
 2. Product type for whole increased weight 4 kg.





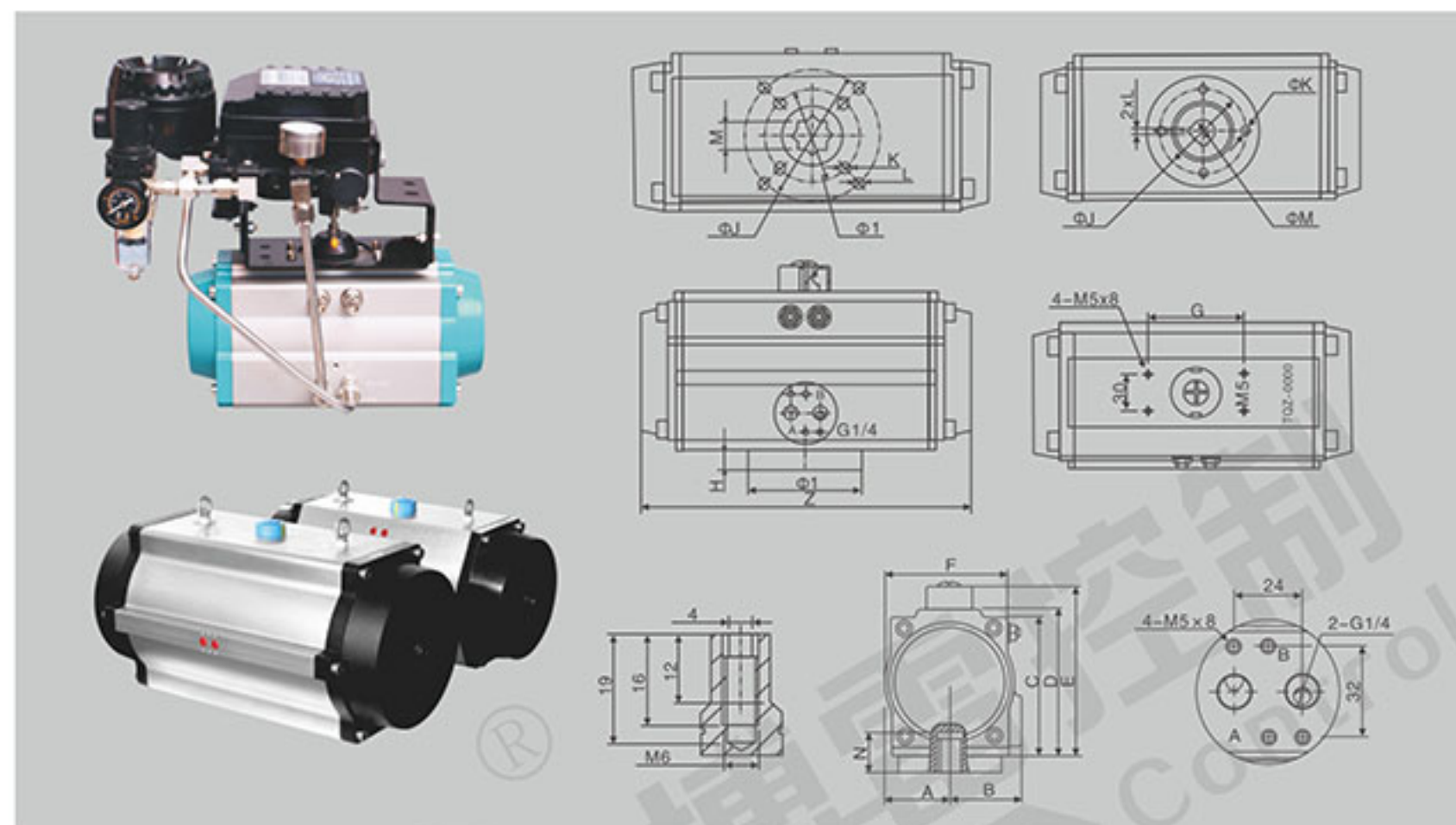
■ 主要零件材料的防腐 Main Parts Material Corrosion

零件 Parts	防腐等级 Anti-corrosion class		零件 Parts	防腐等级 Anti-corrosion class	
	A	B		A	B
缸体 Cylinder block	阳极硬化 Anode hardening	特氟隆涂层+阳极硬化 Teflon coating + anode hardening	输出轴 Output shaft	碳钢化学镀镍 Carbon steel chemical nickel plating	碳钢化学镀镍或不锈钢 Carbon steel chemical nickel plated or stainless steel
端盖 End cover	金属聚酯涂层 Metal polyester coating	特氟隆涂层 Teflon coating	使用场合 Use occasions	一般场合 General situations	一般场合或低浓度酸性环境 General occasions or low concentration acid environment

■ 主要零件材料 Main Parts Material

序号 No.	每套数量 Each number	零件名称 Part name	标准材料 Standard material	选用材料 Choose materials	序号 No.	每套数量 Each number	零件名称 Part name	标准材料 Standard material	选用材料 Choose materials
01	1(1)	左端盖 Left end cover	压铸铝合金 Die casting aluminum alloy	不锈钢 Stainless steel	15*	1	轴承(输出轴底部) Bearing (output shaft bottom)	尼龙46 Nylon 46	-
02	1(2)	右端盖 Right end cover	压铸铝合金 Die casting aluminum alloy	不锈钢 Stainless steel	16*	1	导向轴承(活塞背面) Back guide bearing (piston)	尼龙46 Nylon 46	-
03	1	缸体 Cylinder block	挤压铝合金 Extrusion of aluminum alloy	不锈钢 Stainless steel	17*	2	推力轴承(输出轴) Thrust bearing (output shaft)	尼龙46 Nylon 46	-
04	2	活塞 Piston	压铸铝合金 Die casting aluminum alloy	-	18	2	垫片(输出轴) Gasket (output shaft)	不锈钢 Stainless steel	-
05	1	输出轴 Output shaft	碳钢 Carbon steel	不锈钢 Stainless steel	19	1	弹性挡圈 Elastic ring	不锈钢 Stainless steel	-
06	1	调节凸轮 Adjust the cam	不锈钢 Stainless steel	-	20	8/12/161 (1)	端盖螺栓 End cover bolts	不锈钢 Stainless steel	-
07*	2	O型圈(端盖) O-rings (cover)	丁腈橡胶 Nitrile rubber	氟或硅橡胶 Fluorine and silicone rubber	21	8/12/161 (2)	端盖垫片 End cover gasket	不锈钢 Stainless steel	-
08*	2	O型圈(活塞) O-rings (piston)	丁腈橡胶 Nitrile rubber	氟或硅橡胶 Fluorine and silicone rubber	22	2	垫片 Gasket	不锈钢 Stainless steel	-
09*	1	O型圈(输出轴底部) O-rings (output shaft bottom)	丁腈橡胶 Nitrile rubber	氟或硅橡胶 Fluorine and silicone rubber	23	2	螺帽 Nut	不锈钢 Stainless steel	-
10*	1	O型圈(输出轴顶部) O-rings (output shaft top)	丁腈橡胶 Nitrile rubber	氟或硅橡胶 Fluorine and silicone rubber	24	2	调节螺栓 Adjust the bolt	不锈钢 Stainless steel	-
11*	2	O型圈(调节螺栓) O-rings (adjusting bolt)	丁腈橡胶 Nitrile rubber	氟或硅橡胶 Fluorine and silicone rubber	25	2	导向块 Guide block	尼龙66+30%FG Nylon 66 + 30% FG	-
12*	2	塞头(缸体)Head (block)	丁腈橡胶 Nitrile rubber	氟或硅橡胶 Fluorine and silicone rubber	26	5-12	弹簧组件 Spring components	合金弹簧钢 Alloy spring steel	-
13*	2	轴承(活塞) Bearing (piston)	氟碳复合材料 Fluorine carbon composite materials	-	27	1	位置指示器 Position indicator	聚丙烯PP+30%GF Polypropylene PP + 30% GF	-
14*	1	轴承(输出轴顶部) Bearing (output shaft Top)	尼龙46 Nylon 46	-	28	1	螺钉 Screw	不锈钢 Stainless steel	-

注: (1)型号DR/SC00900-05000端盖为对称型。(2)型号DR/SC00015-02000端盖螺栓为8只, 型号DR/SC03000-05000端盖螺栓为12只。  
(\* )推荐维修用的零部件, 包括在备件包中的零件。  
Notice: (1) The type DR/SC00900-05000 end cover for symmetrical type.  
(2) The type DR/SC00015-02000 end cover bolts for 8, The type DR/SC03000-05000 end cover bolts for 12.  
(\* )Recommended spare parts for maintenance, spare parts included in the package of spare parts.



■ 主要输出扭矩参数 Main Output Torque Parameters

型号 Mode	双作用执行器输出力矩 Double-acting actuator output torque									
	0.2MPa	0.25MPa	0.3MPa	0.4MPa	0.45MPa	0.5MPa	0.55MPa	0.6MPa	0.7MPa	0.8MPa
TQZ-0020W	8.0	10.0	12.0	16.0	18.0	20.0	21.9	23.9	27.9	31.9
TQZ-0035W	14.6	18.2	21.9	29.2	32.8	36.5	40.1	43.8	51.1	58.4
TQZ-0078W	31.4	39.2	47.0	62.7	70.5	78.4	86.2	94.1	109	125
TQZ-0110W	45.1	56.4	67.7	90.3	101	113	125	135	158	180
TQZ-0160W	66.1	82.7	99.2	132	148	165	182	198	231	265
TQZ-0255W	100	125	150	200	226	251	276	301	351	401
TQZ-0435W	171	213	256	342	385	428	470	513	588	684
TQZ-0665W	266	332	399	532	589	665	731	798	931	1064
TQZ-1000W	426	532	638	851	958	1064	1170	1276	1489	1702
TQZ-1350W	532	665	798	1064	1197	1330	1463	1596	1862	2128
TQZ-1900W	769	962	1155	1539	1731	1923	2116	2308	2693	3078
TQZ-2900W	1169	1462	1755	2339	2631	2925	3216	3508	4093	4678

■ 主要外形尺寸(ISO5211标准Standard)Main Overall Dimension

型号 Model	A	B	C	D	E	F	G	I	J	K	L	M	N	Y	Z	WT(Kg)	
TQZ0020	30	42	66	72	92	65	80	Φ36	Φ50	4-M5×8	4-M6×10	11	14	40	148	1.3	1.7
TQZ0035	36	48	81	88	108	72	80	Φ50	Φ70	4-M6×10	4-M8×13	14	18	40	168	1.7	2.1
TQZ0078	46	58	100	108	128	92	80	Φ50	Φ70	4-M6×10	4-M8×13	17	21	40	204	3.6	4.1
TQZ0110	50	59	110	118	138	98	80	Φ50	Φ70	4-M6×10	4-M8×13	19	24	40	262	4.9	5.7
TQZ0160	58	64	123	133	153	110	80	Φ70	Φ102	4-M8×13	4-M10×16	19	24	40	268	5.5	6.9
TQZ0255	68	75	146	156	176	128	80	Φ70	Φ102	4-M8×13	4-M10×16	22	26	55	296	8.8	11
TQZ0435	75	78	160	171	191	138	80	Φ102	Φ125	4-M10×16	4-M12×20	27	31	55	390	13	15
TQZ0665	88	88	185	197	217	158	80	Φ102	Φ125	4-M10×16	4-M12×20	27	31	55	456	22	27
TQZ1000	103	103	216	230	260	189	130		Φ140		4-M16×25	36	40	80	525	30	41
TQZ1350	113	113	236	255	285	210	130		Φ140		4-M16×25	36	40	80	532	38	53
TQZ1900	130	130	265	288	318	246	130		Φ165		4-M20×25	46	50	80	608	57	75
TQZ2900	148	148	299	326	356	273	130		Φ165		4-M20×25	46	50	80	722	86	95

■ 主要外形尺寸(马克标准 Mark Standard)Main Overall Dimension

型号 Model	A	B	C	D	E	F	G	H	I	J	K	L	M	N	Y	Z	WT(Kg)	
TQZ0020	30	42	66	72	92	65	80	16	77	57.15	4-M6×12	3	12.7	36	40	148	1.3	1.8
TQZ0035	36	48	81	88	108	72	80	16	77	57.15	4-M6×12	3	12.7	36	40	168	1.8	2.2
TQZ0078	46	58	100	108	128	92	80	16	77 92	57.15 69.85	4-M6×12 4-M8×15	3 5	12.7 15.8	36	40	204	3.8	4.3
TQZ0110	50	59	110	118	138	98	80	16	77 92	57.15 69.85	4-M6×12 4-M8×15	3 5	12.7 19.05	36	40	262	5.1	5.9
TQZ0160	58	64	123	133	153	110	80	16	92	69.85	4-M8×15	5	15.8 19.05	36	40	268	5.8	7.2
TQZ0255	68	75	146	156	176	128	80	16 16	92 115	69.85 88.9	4-M8×15 4-M12×16	5	19.05 22.2	36 48	55	296	9.8	12
TQZ0435	75	78	160	171	191	138	80	16 18	115	88.9	4-M12×16	5 8	22.2 28.6	48	55	390	14	16
TQZ0665	88	88	185	197	217	158	80	18	115 140	88.9 108	4-M12×16	8	28.6 31.6	48	55	456	24	29
TQZ1000	103	103	216	230	260	189	130	18	115 140	88.9 108	4-M12×16	8	28.6 31.6	48	80	525	32	43
TQZ1350	113	113	236	255	285	210	130	18 25	140 197	108 158.75	4-M12×16 4-M18×25	8 10	31.6 33.34	48 55	80	532	40	55
TQZ1900	130	130	265	288	318	246	130	18 25	140 197	108 158.75	4-M12×16 4-M18×25	10	33.34 38 41.15	55 75	80	608	60	78
TQZ2900	148	148	299	326	356	273	130	28	197 276	158.75 215.9	4-M18×25 4-M20×25	10 16	38 41.15 50.65	75 85	80	722	80	99

# SERVICE

## 售后服务

### 一、售前服务/Pre-sales Service

当好客户的参谋和助手，让用户的每一份投资都获得丰厚的回报。

- (1) 设备型号的选择。
- (2) 根据客户的特殊要求，设计制造产品。
- (3) 为客户培训技术人员。
- (4) 提供新、特、难工程施工技术咨询或拟定合适的施工方案。

Be a good adviser and assistant of customers, making every investment achieve rich return.

- (1) Option of model of equipment.
- (2) Design and manufacture products according to special requirement of customers.
- (3) Train technicians for customers.
- (4) Offer new, special and hard engineering working technical consult or draw suitable working plan.

### 二、售中服务/On-purchase Service

尊重客户；给客户一个放心，一份轻松，一份惊喜；致力于提高客户的整体价值。

Respect customers: Give customers an assurance, a piece of relaxation and a surprise; be devoted to increasing customers' integrated value.

- (1) 保修期内送货上门。
- (2) 产品的预验收。
- (3) 向顾客介绍博雷的服务体系。
- (1) Provide home delivery service in warranty period.
- (2) Pre-inspection for product.
- (3) Introduce service system of Bolley to customers.

### 三、售后服务/After-sale Service

提高客户整体价值，让客户无后顾之忧。

Increase customers' whole value and make customers' not have further trouble.

- (1) 协助用户拟定首次施工方案。
- (2) 设备安装调试。
- (3) 现场培训操作人员。
- (4) 定期巡检设备。
- (5) 快速主动，现场排故。
- (6) 保修配件送货上门。
- (7) 重点工程的跟踪服务。
- (8) 积极寻找潜在不满意用户，抱怨资源化。
- (9) 提供增值服务。
- (10) 提供技术交流的机会。
- (11) 开展大项维修业务。
- (1) Assist clients to draw up the first working plan.
- (2) Installation and debugging of equipment.
- (3) Train operating staff on the spot.
- (4) Test equipment termly.
- (5) Solve the malfunctions on the spot quickly and actively.
- (6) Home delivery for warranty parts.
- (7) Tracing service of important projects.
- (8) Look for potential dissatisfying users actively and make complaints reclamation.
- (9) Offer value-added service.
- (10) Offer opportunities for technology exchange
- (11) Carry out large-scale maintenance business.

